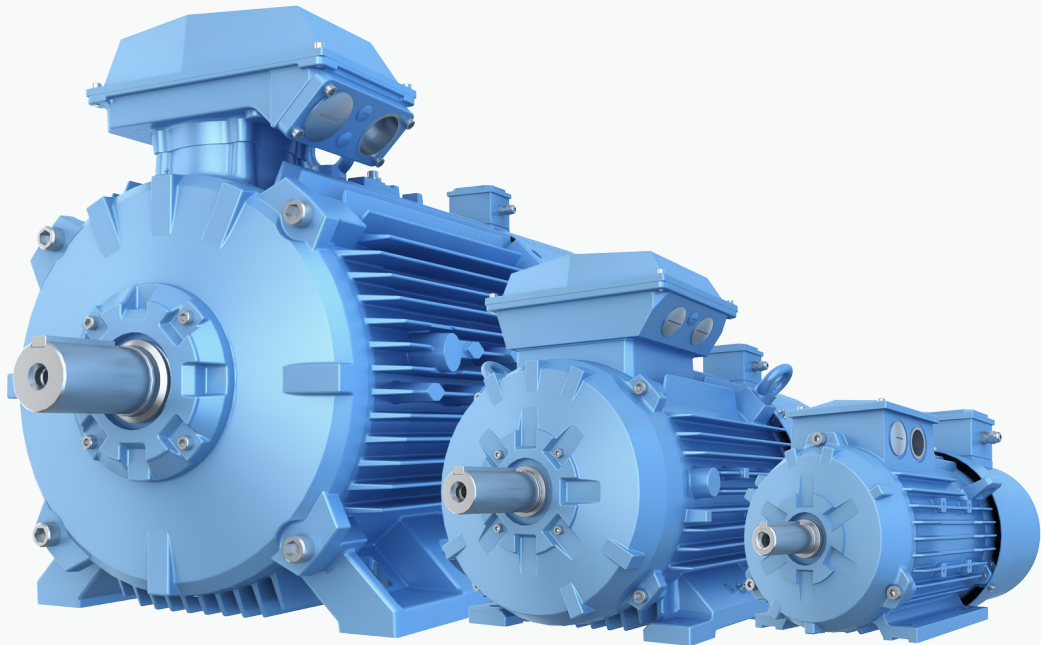


目录 2026-03 | Catalog March 2026

QABP低压高效变频专用电机

QABP - Low voltage high efficiency variable frequency motors



目录

Content

04	产品概述	04	General information
08	订购信息	08	Ordering information
09	铭牌	09	Rating plates
10	电气特性	10	Electrical design
13	机械设计	13	Mechanical design
19	变频器驱动	19	Variable speed drives
26	技术数据 IE3	26	Technical data IE3
30	技术数据 IE2	30	Technical data IE2
33	外形图及外形尺寸	33	Dimension drawings
39	变量代码	39	Variant codes
45	变频电机简介	45	Variable speed motor in brief

ABB 低压电机拥有了 ABB 的一流品质和雄厚支持，这些电机的性能得到大量客户和 OEM（原始设备制造商）的认可。

ABB Low voltage motors are with ABB quality and support. These motors have the features appreciated by volume customers and serial OEMs.

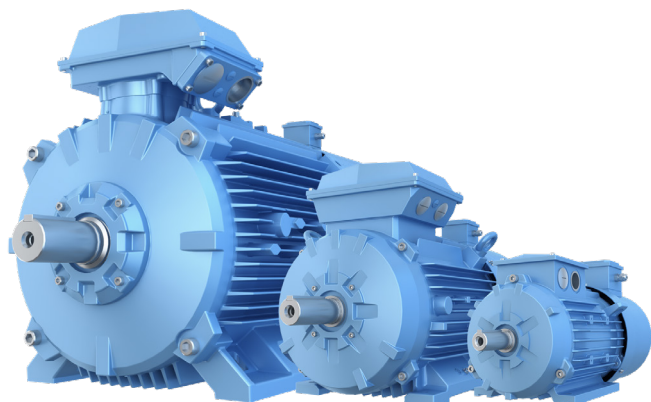
产品概述

General information

标准

ABB 电机采用全封闭三相鼠笼型设计，其设计符合 IEC 国际标准以及中国 GB 标准，QABP 电机效率等级最高可达 IE3 效率水平。

ABB 工厂通过 ISO9001 国际质量认证及 ISO14000 环境标准。



产品简介

QABP 系列电机是 ABB 针对中国市场开发的一款高效变频专用型三相异步电机。用以满足中国日益增长的变频调速电机需求。QABP 电机采用高等级耐电晕复合漆包线，运用 ABB 专有变频控制技术，提升绕组绝缘水平并有效解决轴电流问题，大幅减少了绕组和轴承故障。电机设计合理，它拥有非常出色的机械和电气性能，具有极高的可靠性和灵活性，并具备强大的产品派生能力，可针对客户特殊应用需求进行定制化设计。

适用行业

QABP 电机应用范围非常广泛，可覆盖大部分工业驱动对调速应用需求，广泛应用于造纸、冶金、矿山、起重、风电偏航、橡塑、纺织、印刷包装、食品饮料、化工、水处理、暖通等行业及配套机械设备需求。

Standards

ABB motors are of the totally enclosed, three phase squirrel cage type, built to comply with international IEC and China GB standards. The efficiency level of the QABP motor can reach the IE3 efficiency standard.

ABB production units are certified to ISO 9001 international quality standard as well ISO 14000 environmental standards.

IEC/EN

电气 Electrical	机械 Mechanical
IEC/EN 60034-1	IEC 60072
IEC/EN 60034-2-1	IEC/EN 60034-5
IEC/EN 60034-30	IEC/EN 60034-6
IEC/EN 60034-8	IEC/EN 60034-7
IEC/EN 60034-12	IEC/EN 60034-8
	IEC 60034-14

GB

电气 Electrical	机械 Mechanical
GB/T 755	GB/T 4772.1
GB/T 1032	GB/T 4942.1
GB 18613	GB/T 1993
GB 1971	GB/T 997
GB/T 21210	GB 1971
GB/T 14711-2025	GB/T 10068

Brief

As a special variable frequency motors, QABP series high efficiency VSD motors is design for Chinese market. To meet the growing demand of variable frequency motors in China. QABP motor adopts high-grade corona-resistant material and ABB proprietary frequency conversion control technology to improve the insulation level of the winding and effectively solve the shaft current problem, greatly reducing the winding and bearing failures. It has excellent mechanical and electrical properties, also provides customized design for customer.

Target industry

QABP series motors suitable for P&P, Metals, Mining, Crane, Power, Rubber and Plastic, textile, Printing and Packaging, Food and Beverage, chemical, W&WW, HVAC and other industries and supporting machinery and equipment needs

电机所带独立电源的轴流风机技术参数
Technical Data Table for Ventilator

电机中心高 Frame size mm	电压 (3 相) Voltage(3 phase) V	频率 Frequency Hz	功率 Power W	电流 Current A	转速 Speed r/min	风量 Air volume m ³ /h	风压 Air pressure Pa
71	380V	50Hz	35	0.16	2650	99	22
80	380V	50Hz	35	0.16	2650	126	25
90	380V	50Hz	50	0.23	2820	116	39
100	380V	50Hz	50	0.23	2710	163	63
112	380V	50Hz	50	0.23	2750	107	63
132	380V	50Hz	60	0.26	1489	173	49
160	380V	50Hz	120	0.51	1480	467	40
180	380V	50Hz	120	0.51	1470	498	55
200	380V	50Hz	180	0.65	1400	344	101
225	380V	50Hz	180	0.69	1416	396	111
250	380V	50Hz	250	0.88	1454	724	115
280	380V	50Hz	370	1.17	1454	1061	110
315	380V	50Hz	550	1.57	1460	848	150
355	380V	50Hz	550	1.57	1413	2814	100

制动器列表
Brake list

制动器型号 Brake Type	适用中心高 Applicable Frame size	防护等级 Protection grade
ABB AW	H71-280	IP55
ABB AM	H132-315	IP66
PRECIMA FDB	H71-225	IP55

编码器型号列表
Encoder type list

编码器型号 Encoder type	适用中心高 Applicable frame size	冷却方式 Cooling method
Leine & Linde RHI503	H80-132	IC416, IC411
Leine & Linde 861	H160-355	IC416, IC411
HUBNER HOG 10	H160-355	IC416, IC411
HUBNER POG 9	H160-355	IC416
P+F ENI90PL-H	H180-355	IC416, IC411
ELCO	H71-355	IC416, IC411
Kuebler	H71-355	IC416, IC411

出线端标志
Leading-out terminal mark

电动机定子绕组六个出线端和励磁线圈的二个出线端在接线板的接线位置的标志如下表:

The markings of the wiring positions of the six outlet ends of the motor stator winding and the two outlet ends of the excitation coil on the wiring board are as follows:

绕组名称 Winding name		出线端标志 Leading-out terminal mark	
		始端 Beginning terminal	末端 End
定子绕组 Winding	第一组 Group I	U1	U2
	第二组 Group II	V1	V2
	第三组 Group III	W1	W2
励磁线圈 magnet exciting coil		+	-

产品概述 - 安装结构形式

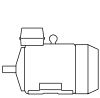
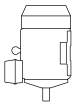
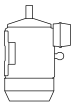
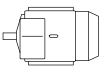
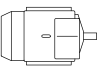
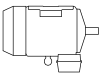
General information - Mounting arrangements

底脚安装型电机

Foot-mounted motor

代码 I / 代码 II
Code I / code II

产品代码位置 12
Product code pos. 12

						M000007
IM B3	IM V5	IM V6	IM B6	IM B7	IM B8	
IM 1001	IM 1011	IM 1031	IM 1051	IM 1061	IM 1071	

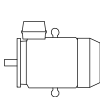
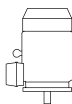
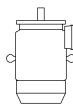
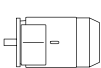
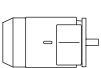
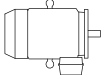
A = 底脚安装型, 接线盒在顶部
foot-mounted, term.box top

凸缘安装型电机, 大凸缘

Flange-mounted motor, large flange

代码 I / 代码 II
Code I / code II

产品代码位置 12
Product code pos. 12

						M000008
IM B5	IM V1	IM V3	*)	*)	*)	
IM 3001	IM 3011	IM 3031	IM 3051	IM 3061	IM 3071	

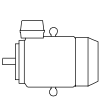
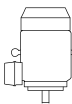
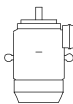
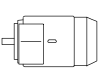
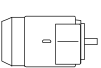
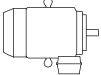
B = 凸缘安装型, 大凸缘
flange mounted, large flange

凸缘安装型电机, 小凸缘

Flange-mounted motor, small flange

代码 I / 代码 II
Code I / code II

变量代码
Variant code

						M000009
IM B14	IM V18	IM V19	*)	*)	*)	
IM 3601	IM 3611	IM 3631	IM 3651	IM 3661	IM 3671	

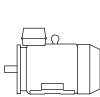
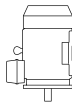
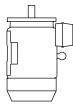
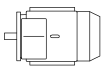
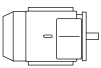
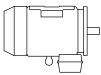
047 = B5 派生出 B14
B14 from B5

底脚和凸缘安装型电机, 大凸缘

Foot- and flange-mounted motor with feet, large flange

代码 I / 代码 II
Code I / code II

变量代码
Variant code

						M000010
IM B35	IM V15	IM V35	*)	*)	*)	
IM 2001	IM 2011	IM 2031	IM 2051	IM 2061	IM 2071	

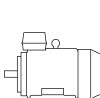
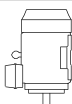
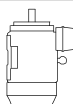
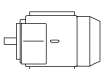
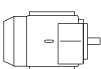
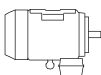
009 = B3 派生出 B35
B35 from B3

底脚和凸缘安装型电机, 小凸缘

Foot- and flange-mounted motor with feet, small flange

代码 I / 代码 II
Code I / code II

变量代码
Variant code

						M000011
IM B34	IM V17	IM 2131	IM 2151	IM 2161	IM 2171	
IM 2101	IM 2111	IM 2131	IM 2151	IM 2161	IM 2171	

008 = B3 派生出 B34
B34 from B3

*) Not Stated in IEC 60034-7.
IEC 60034-7 无规定

产品概述 - 防护等级: IP 代码 / IK 代码

General information - Degrees of protection: IP code / IK code

按旋转电机外壳提供的防护等级分类符合

Classification of degrees of protection provided by enclosures of rotating machines refers to:

- 对于 IP 代码, 适用 IEC 60034-5
- 对于 IK 代码, 适用 EN 50102

- Standard IEC 60034-5 for IP code
- Standard EN 50102 for IK code

IP 防护

防止人员接触 (或接近) 带电部件, 以及机壳内的运转部件。同时避免外界固体异物侵入机器内, 保护机器, 避免进水防止受到有害影响。

IP protection

Protection of persons against getting in contact with (or approaching) live parts and against contact with moving parts inside the enclosure. Also protection of the machine against ingress of solid foreign objects. Protection of machines against the harmful effects due to the ingress of water.

IK 代码

机壳保护电机不受外部机械冲击不利影响的程度分级。

IK code

Classification of degrees of protection provided by enclosure for motors against external mechanical impacts.

IP 代码说明

Explanation of the IP code

特征字母 Ingress protection	对人和机壳内电机部件的保护程度 Degree of protection to persons and to parts of the motors inside the enclosure	机壳防止机器进水, 遭受有害影响的防水程度 Degree of protection provided by the enclosure with respect to harmful effects due to ingress of water
IP	5	5
	1	2

IK 代码说明

Explanation of the IK code

国际机械保护 International mechanical protection	特征组 Characteristic group
IK	08
	1

位置1

Position 1

- 2: 防止大于 12mm 的固体进入机壳
Motors protected against solid objects greater than 12 mm
- 4: 防止大于 1mm 的固体进入机壳
Motors protected against solid objects greater than 1 mm
- 5: 防尘保护电机
Dust-protected motors
- 6: 隔尘电机
Dust-tight motors

位置2

Position 2

- 3: 使电机被溅水后不受损害
Motors protected against spraying water
- 4: 使电机被淋水后不受损害
Motors protected against splashing water
- 5: 使电机被喷水后不受损害
Motors protected against water jets
- 6: 使电机遭大浪后不受损害
Motors protected against heavy seas

位置1

Position 1

IK代码和冲击能量之间的关系:
Relation between IK code and impact energy:

IK代码 IK code	冲击能量焦耳 Impact energy/Joule
0:	不按照EN 50102提供保护 Not protected according to EN 50102
01:	0.15
02:	0.2
03:	0.35
04:	0.5
05:	0.7
06:	1
07:	2
08:	5 (ABB 标准) 5 (ABB Standard)
09:	10
10:	20

订购信息

Ordering information

订购时，请按照示例在订单中说明以下最小数据。电机产品代码根据以下示例编写。

When placing an order, please state the following minimum data in the order, as in the example. The product code of the motor is composed in accordance with the following example.

示例	
电机型号	QABP 180MLA 4
极数	4
安装方式 (IM 代码)	IM B3 (IM1001)
额定输出	22 kW
产品代码	3GQP 182 410-ADF
附加代码 (如需)	

Example	
Motor type	QABP 180MLA 4
Pole number	4
Mounting arrangement (IM-code)	IM B3 (IM1001)
Rated output	22 kW
Product code	3GQP 182 410-ADF
Variant codes if needed	

产品代码说明

Explanation of the product code

电机型号 Motor type	电机尺寸 Motor size	产品代码 Product code	安装方式代码, 电压及频率代码, 产品族代码 Mounting arrangement, voltage and frequency code, generation codes	变量代码 Variant codes
QABP	180MLA	3GQP 182 410- ADF		002, etc
		1 2 3 4 5 6 7 8 9 10 11 12 13 14		

位置 1-4

3GQA = 全封闭铸铁机座电机

位置 5-6

IEC 机座

07 = 71	11 = 112	20 = 200	31 = 315
08 = 80	13 = 132	22 = 225	35 = 355
09 = 90	16 = 160	25 = 250	
10 = 100	18 = 180	28 = 280	

位置 7

极对数

1=2 极	4=8 极
2=4 极	
3=6 极	

位置 8 -10

序列号

位置 11

-(破折号)

位置 12

安装方式

A = 底脚安装型电机
B = 凸缘安装型电机带通孔的大凸缘。

位置 13

电压和频率

D 660 VY, 380 VΔ 50Hz, 440 VΔ 60 Hz
S 380 VY, 220 VΔ 50Hz, 440 VY 60 Hz

位置 14

产品族代码

Positions 1 to 4

3GQA = Totally enclosed motor with cast iron frame

Positions 5 to 6

IEC size

07 = 71	11 = 112	20 = 200	31 = 315
08 = 80	13 = 132	22 = 225	35 = 355
09 = 90	16 = 160	25 = 250	
10 = 100	18 = 180	28 = 280	

Positions 7

Speed (pole pairs)

1=2 poles	4=8 poles
2=4 poles	
3=6 poles	

Positions 8 to 10

Serial number

Positions 11

-(dash)

Position 12

Mounting arrangement

A = Foot-mounted motor
B = Flange-mounted motor. Large flange with clearance holes.

Position 13

Voltage and frequency

D 660 VY, 380 VΔ 50Hz, 440 VΔ 60 Hz
S 380 VY, 220 VΔ 50Hz, 440 VY 60 Hz

Position 14

Generation code

铭牌


Rating plates

铭牌以表格形式提供三个电压的转速、电流和功率因数的数值。

The rating plates are in table form giving values for speed current and power factor for three voltages.


IE3 铭牌示例

IE3 rating plate sample

 ABB Shanghai Motors Co. Ltd Shanghai 200245 P.R of China						
IE3 IEC 60034-1						
3 ~ Motor		QABP 180MLA 4		IMB3/IM1001		2025
No.						
V	Hz	kW	r/min	A	Ins.cl. F cos φ	IP 55 Duty
380 D	50	22	1478	41.7	0.86	S1
CT: 30-50 Hz 140Nm 873-1478 r/min						
CHp: 50-70 Hz 22kW 1478-2062 r/min						
Converter Duty						
Product code 3GQA182410-ADF						
6310-2Z/C3		6210-2Z/C3				198 kg

IE2 铭牌示例

IE2 rating plate sample

 ABB Shanghai Motors Co. Ltd Shanghai 200245 P.R of China						
IEC 60034-1						
3 ~ Motor		QABP 80MA 4		IMB3/IM1001		2025
No.						
V	Hz	kW	r/min	A	Ins.cl. F cos φ	IP 55 Duty
380 Y	50	0.55	1447	1.41	0.77	S1
CT: 30-50 Hz 3.50Nm 841-1447 r/min						
CHp: 50-70 Hz 0.55kW 1447-2025 r/min						
Converter Duty						
Product code 3GQA082310-ASC						
6204-2Z/C3		6204-2Z/C3				16 kg

说明:

铭牌图片仅供格式参考，最终数据以实际铭牌为准。

Remark:

The format of the rating plate is for reference only. The final figure will be subject to the actual rating plate.

电气特性

Electrical design

额定输出

QABP 系列电机的额定功率是指电机运行在 S1- 连续工作制的情况下 (IEC 60034-1)，此时周围环境温度范围为 $-20^{\circ}\text{C} \sim 40^{\circ}\text{C}$ ，海拔高度不超过 1000m。

电压、频率

IEC 60034-1 定义了电压和频率的波动对温升的影响。标准将电压和频率的综合变化分为 A 和 B 两个区域。区域 A 是电压偏差 $\pm 5\%$ 和频率偏差 $\pm 2\%$ 的情况；区域 B 是电压偏差 $\pm 10\%$ 和频率偏差 $+3\%/-5\%$ 的情况。

电机均能在 A 和 B 两区域内提供额定转矩，但温升会高于在额定电压和频率情况下的值。电机只允许在区域 B 中短时间运行。

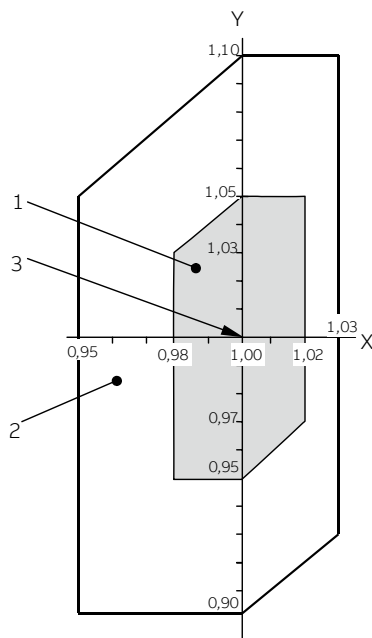
Rated Output

QABP motors rated outputs means that the motor runs under continuous duty S1 (IEC 60034-1) operation at ambient temperature from $-20^{\circ}\text{C} \sim 40^{\circ}\text{C}$ and at altitudes of up to 1000 m above sea level.

Voltage and Frequency

The impact on temperature rise caused by voltage and frequency fluctuation is defined in IEC 60034-1. The standard divides the combinations into two zones, zone A and B. Zone A is the combination of voltage deviation $\pm 5\%$ and frequency deviation $\pm 2\%$. Zone B is the combination of voltage deviation $\pm 10\%$ and frequency deviation $+3\%/-5\%$.

The motors are capable of supplying the rated torque in both zone A and B, but the temperature rise will be higher than at rated voltage and frequency. The motors are to be in operation only for a short period of time in zone B.



X 轴 频率标么值
Y 轴 电压标么值
1 区域 A
2 区域 B (区域 A 外)
3 额定点

X axis frequency p.u.
Y axis voltage p.u.
1 zone A
2 zone B (outside zone A)
3 rating point

电气特性

Electrical design

绝缘系统

ABB 采用 F 级绝缘材料，B 级温升，是当今业界通用的要求。

F 级绝缘系统 B 级温升的采用，使 ABB 产品可获得 25°C 的安全裕度。这使电机在短时间内过载使用，或在较高环境温度和海拔，或在高电压和频率容差下使用成为可能。这一设计同样可用于延长绝缘寿命。例如，温度降低 10K，绝缘寿命延长。

B 级绝缘 (130°C)

- 额定环境温度 40°C
- 最大允许温升 80K
- 热点温升裕度 10K

F 级绝缘 (155°C)

- 额定环境温度 40°C
- 最大允许温升 105K
- 热点温升裕度 10K

H 级绝缘 (180°C)

- 额定环境温度 40°C
- 最大允许温升 125K
- 热点温升裕度 10K

Insulation

ABB uses class F insulation, which with temperature rise B, is the common requirement among industry today. The use of class F insulation with class B temperature rise gives ABB products a 25 °C safety margin. This can be used to increase the loading for limited periods, to operate at higher ambient temperatures or altitudes, or with greater voltage and frequency tolerances. It can also be used to extend insulation life. For instance, a 10 K temperature reduction will extend the insulation life.

Thermal class 130 (B)

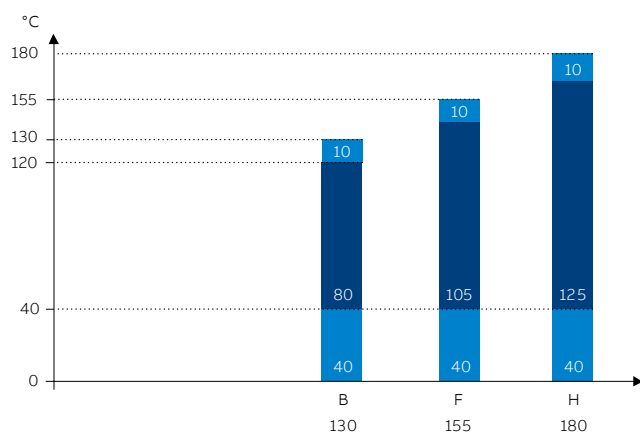
- Nominal ambient temperature 40 °C
- Max permissible temperature rise 80K
- Hot spot temperature margin 10K

Thermal class 155 (F)

- Nominal ambient temperature 40 °C
- Max permissible temperature rise 105K
- Hot spot temperature margin 10K

Thermal class 180 (H)

- Nominal ambient temperature 40 °C
- Max permissible temperature rise 125K
- Hot spot temperature margin 10K



各绝缘等级的安全裕度
Safety margins per thermal class

电气特性

Electrical design

运行环境

根据 IEC 60034-1 规定，容差是指测试值与铭牌（或样本）标称值之间的最大允许偏差。测试结果基于按照 IEC 60034-2-1, IEC 60034-9, IEC 60034-12 所规定的测试。

过载倍数

根据 IEC 60034，QABP 系列电机能够在额定电压和频率下承受 1.5 倍的额定电流达 2 分钟。

Environmental

In accordance with IEC 60034-1, tolerance is the maximum allowed deviation between the test result and the declared value on the rating plate (or in the catalog). Test results are based on test procedures in accordance with IEC 60034-2-1, IEC 60034-9, and IEC 60034-12.

Overload times

According to IEC 60034, QABP motors are designed to withstand overload capacity of 1.5 times rated current for 2 minutes at rated voltage and frequency.

电气数据容差

Tolerance for electrical data

	效率 Efficiency	功率因数 * Power factor	启动电流 Locked rotor current I_s / I_N	堵转转矩 Locked rotor torque T_l / T_N	最大转矩 Breakdown torque T_b / T_N	转动惯量 Moment of inertia	噪声等级 Noise level
PN (kW)	-15 % (1-η)	-1/6 (1-cos φ)	+20 % of the current	[-15 % + 25 %] of the torque	-10 % of the value	± 10 % of the value	+3 dB(A)
	转差率 Slip						
PN (kW) < 1	± 30 %						
PN (kW) ≥ 1	± 20 %						

* 功率因数容差最小绝对值：0.02，最大绝对值：0.07。

* Power factor minimum absolute value 0.02, maximum absolute value 0.07.

环境温度及海拔高度

标准电机设计的最大环境温度为 40°C，最高海拔为 1000m。如果当电机在较高的环境温度或海拔下运行，输出功率相应降低。详情请咨询 ABB。

Ambient temperatures and high altitudes

Normal motors are designed for operation at a maximum ambient temperature of 40°C and at a maximum altitude of 1000 meters above sea level. If a motor is operated at higher ambient temperatures or altitude, it should be derated. Detailed information, please contact your ABB sales office.

对于不同高度和（或）不同环境温度的功率换算系数 kHT

Factor kHT for different site altitudes and / or coolant temperature

海拔高度 Site altitude above sea level	对应海拔高度的环境温度 Site altitude above sea level coolant temperature					
	< 30°C	30 ~ 40°C	45°C	50°C	55°C	60°C
1000 m	1.07	1.00	0.96	0.92	0.87	0.82
1500 m	1.04	0.97	0.93	0.89	0.84	0.79
2000 m	1.00	0.94	0.90	0.86	0.82	0.77
2500 m	0.96	0.90	0.86	0.83	0.78	0.74
3000 m	0.92	0.86	0.82	0.79	0.75	0.70
3500 m	0.88	0.82	0.79	0.75	0.71	0.67
4000 m	0.82	0.77	0.74	0.71	0.67	0.63

机械设计

Mechanical design

表面处理

ABB 低压电机标准喷漆系统符合 ISO 12944 的腐蚀类别 C3M (相当于中等耐腐蚀性及耐用性)。其它耐腐蚀类别 C4M 和 C5M, 可以使用变量代码 115, 754 进行订购。

ABB 的标准色为蒙赛尔蓝 8B 4.5/3.25。其它颜色, 请用变量代码 114, 646 进行订购。

机械振动

ABB 标准电机满足 IEC60034-14 标准中的 A 级振动。如需 B 级振动, 请使用变量代码 417。

Surface treatment

ABB's standard surface treatment is corrosivity category C3, durability range M (which equal to medium corrosivity and medium durability) based on the ISO 12944 standard. Special surface treatment is available in corrosivity categories C4 and C5, durability class M for both. See variant code 115, 754.

The standard ABB paint color for motors is Munsell blue 8B 4.5/3.25. Other colors are also available, see variant code 114, 646.

Vibration

ABB motor meets the requirements of class A vibration based on IEC60034-14 standard. For class B vibration, use variant code 417.

机械设计

Mechanical design

机座

包括底脚在内的电机机座是铸铁制成的。整体式铸铁底脚能够实现稳固的安装及降低振动。可提供底脚安装型、凸缘安装型及二者结合的电机。

排水孔

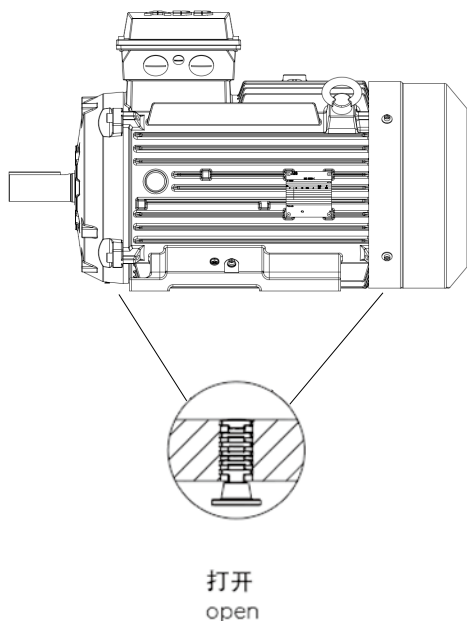
如果在非常湿润或潮湿的环境下，特别是在断续负载下操作电机，则应设置排水孔。根据电机安装方法，指定相应的 IM 标号，如 IM 3031。

机座号为71到355的电机安装了排水孔及闭合塞。孔塞在出厂时打开。安装电机时，确保排水孔朝下。

垂直安装时，上塞必须完全闭合。在灰尘过多的环境中，两个塞都应闭合。

安装方式不同于底脚安装型 IM B3 时，请在订购时使用变量代码 066。

请参阅“排水孔”标题下的变量代码 066。



Motor frame

The motor frame is made of cast iron, and the standard design includes cast iron feet. Integrated cast iron feet provide rigid mounting, and lower vibration. Motors can be supplied for foot mounting, flange mounting, and combinations of these.

Drain holes

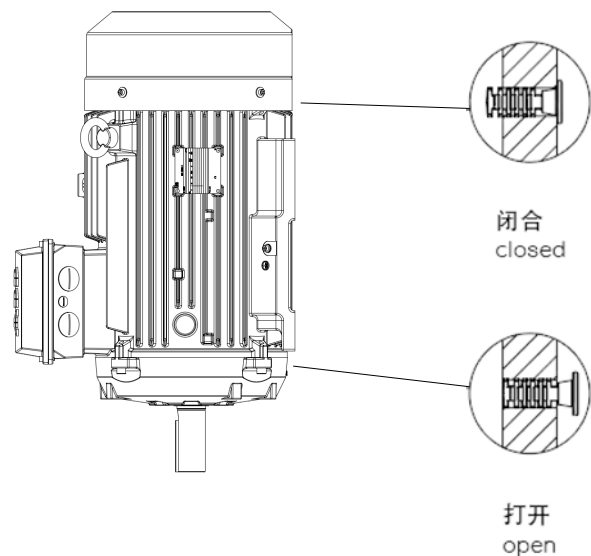
Motors that will be operated in very humid or wet environments, and especially under intermittent duty, should be provided with drain holes. The IM designation, such as IM 3031, determines the intended mounting arrangement for the motor.

Motor sizes 71 - 355 are fitted with drain holes and closable plugs. The plugs are open on delivery. When mounting the motors, ensure that the drain holes face downwards.

In the case of vertical mounting, the upper plug must be hammered home completely. In very dusty environments, both plugs should be hammered home.

When mounting arrangement differs from foot mounted IM B3, mention variant code 066 when ordering.

See variant codes 066 under the heading "Drain holes".



机座号 71-355
标准情况下配备排水孔及闭合塞

As standard, motor sizes 71 - 355 are delivered with drain holes and closable plugs.

机械设计

Mechanical design

轴承

电机通常安装以下单列深沟球轴承。

标准及可选设计

机座号	极数	标准设计		可选设计
		深沟球轴承		圆柱滚子轴承 (VC037)
		D 端	N 端	D 端
71	2-8	6203-2Z/C3	6202-2Z/C3	
80	2-8	6204-2Z/C3	6204-2Z/C3	
90	2-8	6205-2Z/C3	6205-2Z/C3	
100	2-8	6206-2Z/C3	6206-2Z/C3	
112	2-8	6207-2Z/C3	6206-2Z/C3	
132	2-8	6208-2Z/C3	6208-2Z/C3	NU208ECP/C3
160	2-8	6309-2Z/C3	6209-2Z/C3	NU309ECP/C3
180	2-8	6310-2Z/C3	6210-2Z/C3	NU310ECP/C3
200	2-8	6312-2Z/C3	6212-2Z/C3	NU312ECP/C3
225	2-8	6313-2Z/C3	6213-2Z/C3	NU313ECP/C3
250	2-8	6315-2Z/C3	6215-2Z/C3	NU315ECP/C3
280	2-8	6316/C3	6316/C3	NU316ECP/C3
315	2	6316/C3	6316/C3*	NU316ECP/C3
	4-8	6319/C3	6319/C3*	NU319ECP/C3
355	2	6319/C3	6319/C3*	NU319ECP/C3
	4-8	6322/C3	6319/C3*	NU322ECP/C3

说明：

电机铭牌上显示轴承型号及描述方式仅供客户更换、维修轴承作参考，不代表轴承品牌，具体的轴承品牌以公司实际使用的为准。

*) FS315-355非驱动端标配绝缘轴承

轴向锁定轴承

所有电机在 D 端标配轴向锁定轴承。

Bearings

General performance motors are normally fitted with single-row deep-groove ball bearings, as shown in the table below.

Standard and alternative designs

Motor size	Number of poles	Standard design		Alternative design
		Deep groove ball bearings		Roller bearings (VC037)
		D-end	N-end	D-end
71	2-8	6203-2Z/C3	6202-2Z/C3	
80	2-8	6204-2Z/C3	6204-2Z/C3	
90	2-8	6205-2Z/C3	6205-2Z/C3	
100	2-8	6206-2Z/C3	6206-2Z/C3	
112	2-8	6207-2Z/C3	6206-2Z/C3	
132	2-8	6208-2Z/C3	6208-2Z/C3	NU208ECP/C3
160	2-8	6309-2Z/C3	6209-2Z/C3	NU309ECP/C3
180	2-8	6310-2Z/C3	6210-2Z/C3	NU310ECP/C3
200	2-8	6312-2Z/C3	6212-2Z/C3	NU312ECP/C3
225	2-8	6313-2Z/C3	6213-2Z/C3	NU313ECP/C3
250	2-8	6315-2Z/C3	6215-2Z/C3	NU315ECP/C3
280	2-8	6316/C3	6316/C3	NU316ECP/C3
315	2	6316/C3	6316/C3*	NU316ECP/C3
	4-8	6319/C3	6319/C3*	NU319ECP/C3
355	2	6319/C3	6319/C3*	NU319ECP/C3
	4-8	6322/C3	6319/C3*	NU322ECP/C3

Remark:

The bearing type and description on rating plate do not represent the bearing brand, instead it is a technical consideration that can help the owner to make replacement and set up a maintenance program. The brand is subject to the bearing installed.

*) FS315-355 uses insulated bearings as standard on the non drive end

Axially-locked bearings

All motors are equipped as standard with an axially locked bearing. General at D-end.

机械设计

Mechanical design

轴密封件

尺寸和类型符合下表:

Bearing seals

This table presents the standard sizes and types of bearing seals per motor size.

机座号 Motor size	极数 Number of Poles	标准设计 Standard design		可选设计 Optional design	
		轴向密封件 Axial seal		D 端伽玛密封 Gamma seal at D-end	D 端径向密封 Radial seal at D-end
		D 端 D-end	N 端 N-end	变量代码 784 Variant codes 784	变量代码 072 Variant codes 072
71	2-8	V-16A	V-14A	17 x 32 x 4	17 x 35 x 7
80	2-8	V-20A	V-20A	20 x 35 x 4	20 x 40 x 7
90	2-8	V-25A	V-25A	25 x 40 x 4	25 x 42 x 7
100	2-8	V-30A	V-30A	30 x 47 x 4.5	30 x 52 x 7
112	2-8	V-35A	V-30A	35 x 52 x 4.5	35 x 55 x 7
132	2-8	V-40A	V-40A	40 x 57 x 4.5	40 x 62 x 7
160	2-8	V-45A	V-45A	45 x 62 x 4.5	45 x 72 x 8
180	2-8	V-50A	V-50A	50 x 70 x 5.5	50 x 80 x 8
200	2-8	V-60A	V-60A	60 x 80 x 5.5	60 x 85 x 8
225	2-8	V-65A	V-65A	65 x 85 x 5.5	65 x 90 x 10
250	2-8	V-75A	V-75A	75 x 95 x 5.5	75 x 100 x 10
280	2	VS80	VS80	80 x 100 x 5.5	80 x 110 x 10
	4-8	VS80	VS80	80 x 100 x 5.5	80 x 110 x 10
315	2	VS80	VS80	80 x 100 x 5.5	95 x 120 x 12
	4-8	VS95	VS95	95 x 115 x 5.5	95 x 120 x 12
355	2	VS95	VS95	95 x 115 x 5.5	95 x 120 x 12
	4-8	VS110	VS95	110 x 130 x 5.5	110 x 140 x 12

机械设计

Mechanical design

轴承寿命

根据 ISO 281, 轴承的正常寿命 L_{10h} 定义为在特定条件下 90% 的相同轴承在一系列测试中所达到或超过的运行小时数。50% 的轴承至少达到这一数字的五倍。

润滑

装有封闭式轴承的电机

机座号为 71-250 的电机采用封闭式轴承。封闭式轴承中装有优质的润滑脂。铭牌上印有轴承型号。

以下数值可作为轴承使用寿命指导值, 具体寿命取决于应用和负载情况: 2-8 极电机约为 40,000 小时。

皮带轮直径

所需轴承寿命确定后, 最小允许皮带轮直径可使用 F_R 计算, 如下所示:

$$D = \frac{1.9 \cdot 10^7 \cdot K \cdot P}{n \cdot F_R}$$

其中:

D:	带轮直径, 单位 (mm)
P:	功率要求, kW
n:	电机转速, r/min
K:	皮带张力因数, 取决于皮带类型和负载类型。 V 形皮带通用值为 2.5。
F_R :	允许径向力

Bearing life

The nominal life L_{10h} of a bearing is defined according to ISO 281 as the number of operating hours achieved or exceeded by 90% of identical bearings in a large test series under specified conditions. 50% of bearings achieve at least five times this lifetime.

Lubrication

Motors with bearings greased for life

Motors in frame sizes 71-250 are equipped with bearings greased for life. Bearings are lubricated with high-quality grease. Bearing types are stated on the rating plate.

The following values can be used as a guide for bearing lifetime, depending on application and load conditions: 2-8 pole motors about 40,000h.

Pulley diameter

When the desired bearing life has been determined, the minimum permissible pulley diameter can be calculated with F_R as follows:

$$D = \frac{1.9 \cdot 10^7 \cdot K \cdot P}{n \cdot F_R}$$

Where:

D:	Pulley diameter, mm
P:	Power requirement, kW
n:	Motor speed, r/min
K:	Belt tension factor, dependent on belt type and type of duty A common value of V-belts is 2.5
F_R :	Permissible radial force

机械设计

Mechanical design

标准接线盒交付

标准接线盒的防护等级为 IP55。标准情况下，接线盒安装在电机 D 端顶部。此外，还可以将接线盒安装在左侧或右侧，请参考订购信息。机座号 71-132 的电机，采用一体式接线盒。机座号 160-355 的电机，采用分体式接线盒。

机座号为 160-355 的电机接线盒可 2x180° 转动。因此电机的两侧都可以接入电缆。

如果未另行规定，则采用标准交付。

注意：对于 500V 及 / 或侧面安装的电机，请联系 ABB！

Standard terminal box

The degree of protection for the standard terminal box is IP 55. By default, terminal boxes are mounted on top of the motor at D-end. In motor sizes 71-132, the terminal box is integrated with motor frame. In motor sizes 160-355, the terminal box is separate from motor frame.

The terminal boxes of motor sizes 160-355 can be turned 2x180°, to allow cable entry from either side of motor.

Standard delivery if no other information is provided.

Note: For other network voltages and/or side-mounted motors, contact your ABB sales office.

机座号 Motor size	极数 Pole number	螺纹孔 Threaded holes	电缆外径 mm Cable outer diameter mm	单芯横截面 平方毫米/相 Single core cross-section mm ² /phase	端子螺栓尺寸 6x terminal bolt size 6x
71	2-8	2xM16x1.5	2xØ5-9	2.5	M4
80-90	2-8	2xM25x1.5	2xØ11-16	4	M4
100-132	2-8	2xM32x1.5	2xØ14-21	10	M5
160-180	2-8	2xM40x1.5, M16x1.5	2xØ19-27, Ø5-9	35	M6
200-250	2-8	2xM63x1.5, M16x1.5	2xØ37-44, Ø5-9	70	M10
280	2-8	2xM63x1.5, 2xM20x1.5	2xØ37-44, 2xØ8-14	2x150	M10
315	2-8	2xM63x1.5, 2xM20x1.5	2xØ37-44, 2xØ8-14	2x240	M12
355	2-8	2xM75x1.5, 2xM20x1.5	2xØ48-60, 2xØ8-14	4x240	M12

电机接地 Earthing	机座接地 Earthing on frame	主接线盒接地 Earthing in main terminal box
71-132	M5	M5
160-250	M6	M6
280-355	M10	M10

变频器驱动

Variable speed drives

鼠笼式感应电机具有很好的的可用性、可靠性与效率。通过变频器—一种变速驱动器（VSD），该电机的性能将更优异。电机不是一直处于全速运转状态，相反，变速驱动器能够根据实际需要调节速度。这样，就能够准确地控制工艺过程，在某些情况下，甚至可以达到比标称速度更快的运转速度，从而提高产能。

与传统的全压启动（DOL）不同，变速驱动器（VSD）能够平滑地进行启动。这样就大大地减少了电机及驱动应用中的压力。平滑启动还意味着供电网络不受高启动电流的影响。在电网设计时，应将该因素纳入考虑。

由于在速度和工艺用电方面的优化，ABB低压通用型电机以及变频器的使用，尤其是ABB变频器的使用，通常能够在很大程度上实现节能。节能不仅能够产生环境效益，还能够带来经济效益。ABB低压通用型电机适用于DOL运行，也适用于变速运行。选择面广，电机能够适应严苛的应用要求。

在为变速驱动器选择低压通用型电机时，应考虑以下方面：

1. 确定规格

变频器所馈送的电压（或电流）并非完全是正弦的。这可能会增加电机的损耗、振动以及噪音等级。此外，这些损耗分布的变化可能影响电机的温升。因此，在任何情况下，需要根据特定的变频器说明书正确选择电机规格。

使用ABB变频器时，请使用ABB的DriveSize程序来确定电机规格。该工具利用的是基本综合性组合型式试验的规格确定规则。

当手动确定规格时，请注意，此目录中以及相关手册中给出的负载率（负载能力）曲线仅供参考。可根据要求提供针对各个电机和变频器的精确数值。除确定热容量外，必须保持一个转矩裕度，以保持稳定。电机的最大转矩在整个工作周期内应至少高于负载转矩30%。

尤其是在使用较长的供电电缆时，还必须考虑供电电缆的压降。

Squirrel cage induction motors offer excellent availability, reliability and efficiency. With a variable speed drive (VSD) – a frequency converter – the motor performance can be further improved. Instead of running the motor continuously at full speed, the VSD enables speed adjustment according to actual need. The VSD makes it possible to control the process accurately and in some cases even to improve the capacity of the process by operating at higher than nominal speeds.

In contrast with conventional applications operating with a direct-on-line (DOL) supply, a VSD makes smooth starting possible. This significantly reduces the stress on the motor and driven application. Smooth starting also means that the supply network will not be affected by high starting current transients, a fact that can be taken into account in the design of the network.

The use of ABB industrial drives together with General purpose motors usually provides substantial energy savings as the speed and therefore the power required by the process can be optimized. General purpose motors are designed for both DOL and variable speed operation. A wide range of options is available, so motors can be adapted to the demanding applications.

When selecting general purpose motors for VSDs, the following points must be taken into consideration.

1. Dimensioning

The voltage (or current) fed by the VSD is not purely sinusoidal. This may increase motor losses, vibration, and noise level. Further, a change in the distribution of losses may affect the motor's temperature rise. In each case, the motor must be correctly sized according to the instructions supplied for the frequency converter.

ABB's DriveSize program utilizes dimensioning rules that are based on comprehensive motor and drive type tests. Please use DriveSize for selecting the correct motor and drive combination for a desired load profile.

In case of manual dimensioning, note that the loadability (or load capacity) curves provided in this catalog and in the respective manuals are indicative only. Values for a specific motor and drive are available on request. In addition to thermal dimensioning, an adequate torque margin must be maintained for stability. The maximum torque of the motor must be at least 30 % higher than the load torque over the whole duty range.

Voltage drop in the supply cable must also be taken into consideration, especially in cases where long supply cables are needed.

变频器驱动

Variable speed drives

2. 工作转速、振动及轴密封

低压通用型电机设计可以在宽转速范围下工作，在大多数情况下，也可以显著高于额定转速（即铭牌上印制的转速）的较高转速运行。可以通过铭牌或 DriveSize 工具获知最大转速。除电机转速范围外，请确保不超出整个应用的最大或临界转速。

下表 1 给出了低压通用型电机的最大规定转速值。

表 1 低压通用型电机的最大规定转速值

机座号	2 极电机		4 极电机		6 极电机	
	标准风扇	金属风扇	标准风扇	金属风扇	标准风扇	金属风扇
71-112	6000	6000	6000	6000	6000	6000
132-200	4500	4500	4500	4500	4500	4500
225-250	4200	4200	4200	4200	4200	4200
280	3600	3800	2500	2800	2500	2800
315 SM	3600	3600	2000	2800	2000	2800
315 ML	3600	3600	2000	2400	2000	2400
355	3600	3600	1800	2400	1800	2400

3. 通风

电机低速运行时，风扇的冷却能力下降，进而降低电机的负载能力。可以另外使用一个独立的恒速风扇（变量代码 183）来提升冷却能力。

高速运行时，应考虑使用金属风扇（变量代码 068），而不是塑料风扇。

4. 润滑

在变速应用场合中，轴承温度的变化是由于速度和电机负载变化的结果。这时，在正常工作条件下，通过测量轴承温度，可以得到精确的润滑间隔时间。如果测量温度高于 +80°C，则需要缩短在润滑铭牌或电机手册中规定的润滑间隔时间，或使用适用于高温工况的润滑脂。请参见 ABB 低压电机手册。

在非常低的速度和温度（低于 20°C）下连续工作时，标准润滑脂的润滑能力可能不足，而需要使用含添加剂的特定润滑脂。更多详情，请联系 ABB。

2. Operating speed, vibrations and shaft seals

General purpose motors are designed to work over a wide speed range and also at significantly higher than nominal speeds. The maximum speeds can be found on motor rating plates or in DriveSize. In addition to motor speed, make sure that the maximum or critical speed of the entire application is not exceeded.

Guideline maximum speed values for general purpose motors are shown in Table 1.

Table 1. Guideline maximum speed values for general purpose cast iron motors.

Motor Size	2-pole motors		4-pole motors		6-pole motors	
	standard fan	metal fan	standard fan	metal fan	standard fan	metal fan
71-112	6000	6000	6000	6000	6000	6000
132-200	4500	4500	4500	4500	4500	4500
225-250	4200	4200	4200	4200	4200	4200
280	3600	3800	2500	2800	2500	2800
315 SM	3600	3600	2000	2800	2000	2800
315 ML	3600	3600	2000	2400	2000	2400
355	3600	3600	1800	2400	1800	2400

3. Ventilation

When the motor is operated at low speeds, the cooling capacity of the fan decreases, which again reduces the motor's load capacity. A separate constant speed fan (variant codes 183) can be used to increase cooling capacity.

At high speeds, the use of metal fans (variant code 068) instead of plastic ones should be considered.

4. Lubrication

In variable speed applications, bearing temperature varies as a function of speed and motor load. In such cases, the accurate relubrication intervals can be obtained by measuring the bearing temperature under normal operating conditions. If the measured temperature is higher than +80°C, the relubrication intervals specified on the lubrication plate or in the maintenance manual must be shortened, or lubricants suitable for high operating temperatures must be used. See ABB Low voltage motor manual.

In case of continuous operation at very low speeds and at very low temperatures (below -20°C), the lubrication properties of standard greases may not be sufficient, and special greases with additives are needed.

变频器驱动

Variable speed drives

如果电机配备密封轴承，即一次性润滑轴承，则务必注意，当工作温度与设计温度不同时，轴承的工作寿命也会与设计值不同。有关轴承工作寿命的详细信息，请参见本目录及相关手册中与产品相关的章节。

我们不建议使用所谓的导电润滑脂来消除轴承电流，因为此类产品的润滑性能不良，因此导电性很弱。

5. 绕组绝缘

为确保电机的可靠性，当为电机选择正确的绝缘系统和为变频器选择正确的输出滤波器时，必须考虑变频器的非正弦输出电压的影响。

当使用具有非受控直流电压的变频器时，应根据表 2 选择绝缘和滤波器。

表 2 变频器（其具有非受控直流电压）电机的绕组绝缘及变频器输出滤波器选择

所要求的绕组绝缘和滤波器	
$500V < U_N \leq 600V$	ABB 变频绝缘 +dU/dt 滤波器或 ABB 变频加强绝缘（变量代码 405）
$600V < U_N \leq 690V$	ABB 变频加强绝缘（变量代码 405） 及变频器输出端的 dU/dt 滤波器

dU/dt 滤波器的详细信息，请参见相关的 ABB 驱动目录。

如果表 2 中的内容不适用，以及对于其它类型的变频器，则应根据电机端子电压进行选择。

电机端子处允许的相对地电压峰值为：

- ABB 变频绝缘 1300V
- ABB 变频加强绝缘（变量代码 405）1800V

受脉冲上升时间的影响，电机端子处允许的最大相对地电压峰值见图 1。最高的曲线（即“ABB 变频加强绝缘”）适用于变频器电源采用特殊绕组绝缘的电机，变量代码为 405。“ABB 变频绝缘”适用于具有标准设计的电机。

Operating temperatures also affect bearing life. When motors are equipped with sealed bearings, that is, bearings greased for life, it must be noted that if the operating temperature differs from the design temperature, the bearing life will also be different. More information on bearing lifetimes can be found in section Mechanical design of this catalog and in the relevant manuals.

The use of so-called conductive greases for elimination of bearing currents is not recommended because of their poor lubrication characteristics and low conductivity.

5. Winding insulation

To ensure that motors operate reliably, the effects of non-sinusoidal output voltages from the converter must be taken into consideration when selecting the correct insulation system for the motor and output filters for the converter.

Insulation and filters must be selected according to Table 2.

Table 2. Selection of motor winding insulation and converter output filters

Winding insulation and filters required	
$500V < U_N \leq 600V$	VSD insulation + dU/dt filters OR VSD reinforced insulation (variant code 405)
$600V < U_N \leq 690V$	VSD reinforced insulation (variant code 405) AND dU/dt filters at converter output

For more information on dU/dt filters, see the relevant ABB Drives catalogs.

For other converters and cases where the guidelines shown in Table 2 cannot be applied, selection must be based on the voltages present at motor terminals.

The allowed phase-to-ground voltage peaks at motor terminals:

- 1300 V peak: VSD insulation
- 1800 V peak: VSD reinforced insulation, variant code 405

The maximum allowed phase-to-phase voltage peaks at the motor terminals as a function of pulse rise time are shown in Figure 1. The higher curve, VSD reinforced insulation, applies to motors with special winding insulation for frequency converter supply, variant code 405. VSD insulation applies to motors with standard design.

变频器驱动 Variable speed drives

图 1 受脉冲上升时间的影响，电机端子处允许的最大相对地电压峰值

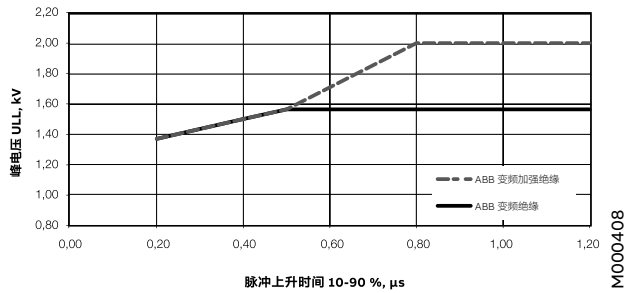
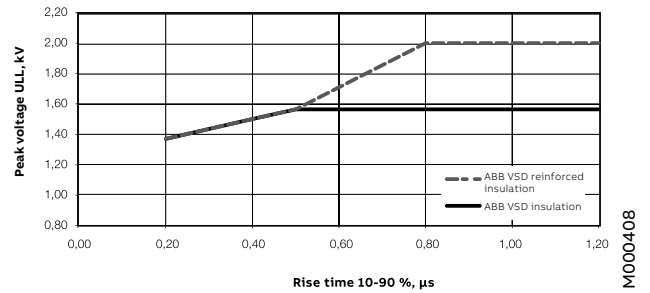


Figure 1. Maximum allowed phase-to-phase voltage peaks at motor terminals, as a function pulse rise time.



6. 轴承电流

必须在所有电机中消除轴承电压和电流,确保整项工作的可靠开展。如果使用具有非受控直流电压的 ABB ACS800 or ACS550 驱动器,则必须按照下表 3 所示,使用绝缘轴承(变量代码 701)和/或在变频器输出上加上适当规格的滤波器。有关其它代替产品和变频器类型,请联系 ABB。订购时,请明确注明将使用的代替产品。

6. Bearing currents

Bearing voltages and currents must be avoided in all motors to ensure reliable operation of the entire application. With ACS800 or ACS550 drives and uncontrolled DC voltage, insulated bearings (variant code 701) and/or properly dimensioned filters at the converter must be used, as indicated in Table 3.

有关轴承电流和电压的详细资料,请参见“AC 驱动系统中的轴承电流”工厂文件或联系 ABB。

For information on other converter types, contact ABB Sales. When ordering, clearly state which alternative will be used.

表 3 与变频器(其具有非受控直流电压)配合使用的电机中的轴承电流防护。

Table 3. Precautionary measures to avoid bearing currents in variable speed drives.

标称功率 (P _N) 及 / 或机座号 (IEC)	防护措施
P _N < 100 kW	无需采取措施
P _N ≥ 100 kW 或 IEC 315 ≤ 机座号 ≤ IEC 355	非驱动端绝缘轴承
P _N ≥ 350 kW	非驱动端绝缘轴承,并在变频器中设置共模滤波器

Nominal Output (P _N) AND / OR Motor size (IEC)	Precautionary measures
P _N < 100 kW	No action needed
P _N ≥ 100 kW OR IEC 315 ≤ Frame size ≤ IEC 355	Insulated non-drive end bearing
P _N ≥ 350 kW	Insulated non-drive end bearing AND Common mode filter at the converter

共模滤波器

共模滤波器减少了共模电流,从而减少了出现轴承电流的风险。共模滤波器不会严重影响电机接线端子的相电压或电源电压。更多详情,请参见 ABB 驱动器目录。

Common mode filters

Common mode filters reduce common mode currents and so decrease the risk of bearing currents. Common mode filters do not significantly affect the phase of main voltages on motor terminals. For more information, see ABB drives catalogs.

变频器驱动

Variable speed drives

绝缘轴承

ABB 使用带绝缘内圈或外圈的轴承。所谓混合轴承，也就是带非导电性陶瓷滚动元件的轴承，也可用于特定用途。

Insulated bearings

ABB uses bearings with insulated inner or outer races. Hybrid bearings, that is, bearings with non-conductive ceramic rolling elements, can also be used in special applications.

7. 电缆敷设、接地及 EMC

变频器对驱动系统的电缆铺设和接地提出了更高的要求。应使用屏蔽对称电缆和提供 360°接头的电缆接头（也称为 EMC 接头，变量代码 704）来连接电机。对于输出功率不高于 30kW 的电机，可使用非对称电缆，但始终建议使用屏蔽电缆，尤其在驱动应用中存在敏感部件时。

7. Cabling, grounding, and EMC

The use of a variable speed drive sets higher demands on the cabling and grounding of the drive system. The motor must be cabled using shielded symmetrical cables and cable glands providing 360° bonding (EMC glands, variant code 704). For motors up to 30 kW, asymmetrical cables can be used, but shielded cables are always recommended, especially if there are sensitive components in the driven application.

对于机座号为 IEC 280 及以上的电机，除非在一个公共的金属底座上安装电机和驱动机器，否则需要在电机机座和机器之间另外进行电位均衡处理。当使用一个金属底座来实现电位均衡时，应检查此连接的高频导电性。有关变频驱动器的接地和电缆敷设的更多信息，请参见手册“驱动系统的接地和电缆敷设”（编号：3AFY 61201998 R0125 REV B）。

For motor sizes IEC 280 and above, additional potential equalization is needed between the motor frame and the machinery, unless the motor and the driven machine are installed on a common steel base. When a steel base is used for potential equalization, high frequency conductivity of the connection must be checked.

为满足 EMC 的要求，除安装正确的电缆接头外，还必须使用专用的 EMC 电缆（另外具有专用接地件）。请参见变频器手册。

To meet EMC requirements, special EMC cables must be used in addition to appropriate cable gland mounting with special earthing pieces. Refer to ABB drives manuals for more information.

8. 变频器的电机负载能力

图 2、图 3 所示的负载能力曲线具有指导意义。欲知精确数值，请联系 ABB。这些负载能力曲线还可以用于其它变频器的初步规格确定，但必须注意的是，不同变频器的谐波分量和控制算法互不相同，因此电机的温升也会不同。

8. Motor loadability with frequency converter drives

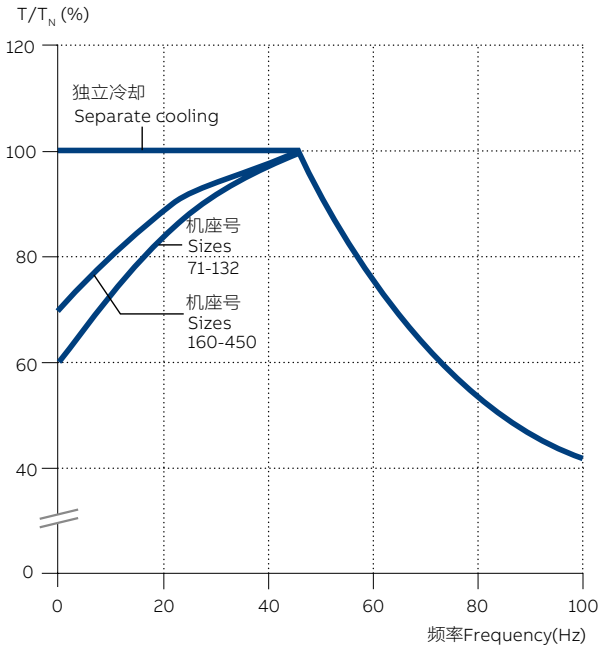
The loadability curves shown in Figures 2 and 3 are indicative guidelines and do not present exact values. These loadability curves can also be used for preliminary dimensioning of motors used at frequency converter duty, but it must be noted that the harmonic content and control algorithms vary between frequency converters, so the motor temperature rise will also be different.

变频器驱动 Variable speed drives

图 2 具有 DTC 控制的变频器负载曲线
Figure 2. Loadability curves for frequency converters with DTC control

B 级温升

Temperature rise B



F 级温升

Temperature rise F

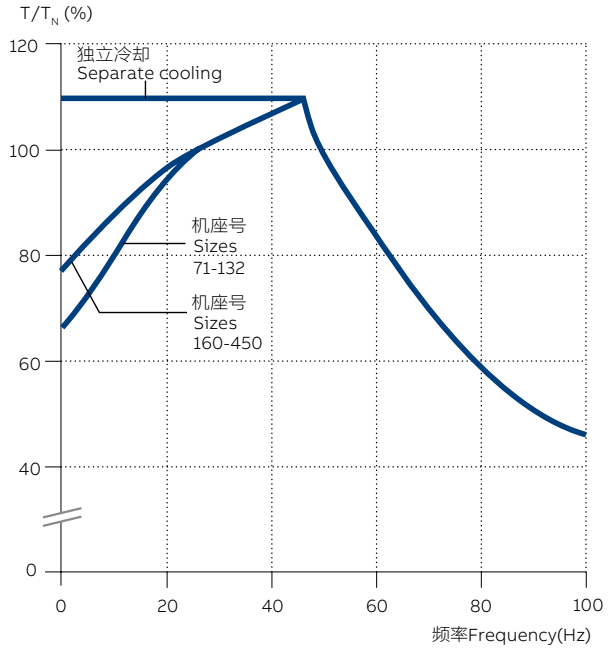
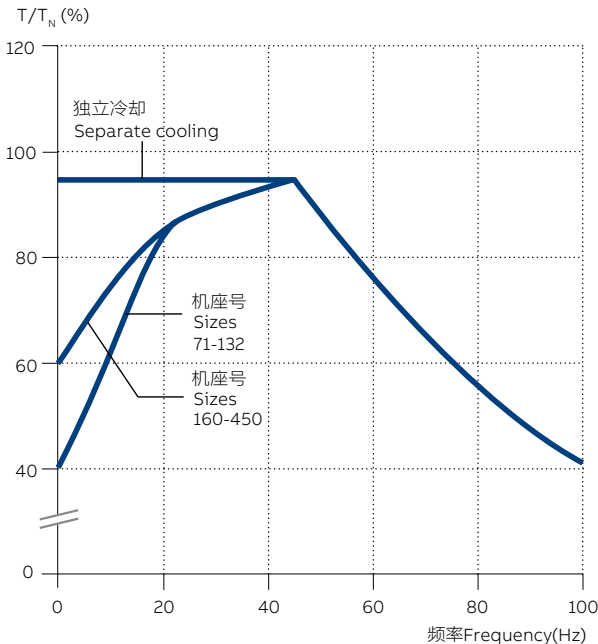


图 3 其它控制类型的变频器负载曲线
Figure 3. Loadability curves for other frequency converters

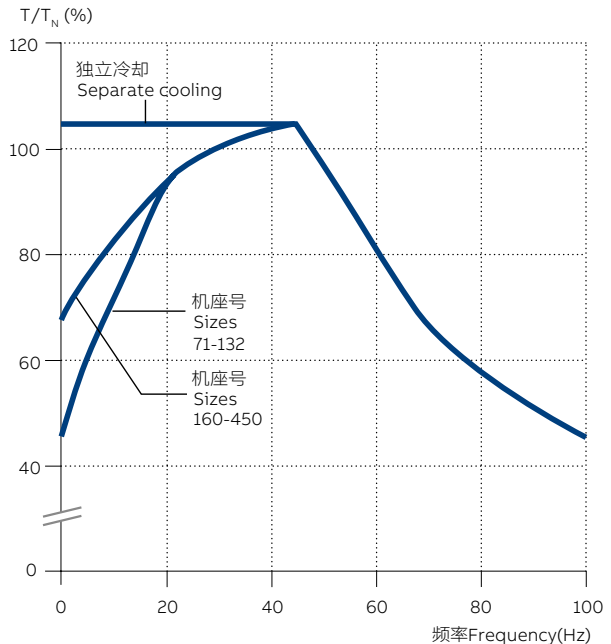
B 级温升

Temperature rise B



F 级温升

Temperature rise F



变频器驱动

Variable speed drives

9. 额定转矩、标称功率与调频范围的对应关系表
Output, Torque & Frequency Table

标称功率 Nominal power kW	同步转速 Synchronous speed r/min 3000 额定转矩 Rated torque Nm	恒转矩调频范围 Frequency range at constant torque Hz		恒功率调频范围 Frequency range at constant power Hz		同步转速 Synchronous speed r/min 1500 1000 750			恒转矩调频范围 Frequency range at constant torque Hz		恒功率调频范围 Frequency range at constant power Hz	
		IC416	IC411	IC416	IC411	额定转矩 Rated torque Nm			IC416	IC411	IC416	IC411
0.18	-	5-50	30-50	50-100	50-70	-	1.72	2.29	5-50	30-50	50-100	50-70
0.25	-					1.59	2.39	3.18				
0.37	1.18					2.36	3.53	4.71				
0.55	1.75					3.50	5.25	7.00				
0.75	2.40					4.80	7.20	9.60				
1.1	3.50					7.00	10.5	14.0				
1.5	4.80					9.60	14.3	19.1				
2.2	7.00					14.0	21.0	28.0				
3	9.60					19.1	28.7	38.2				
4	12.7					25.5	38.2	50.9				
5.5	17.5	35.0	52.5	70.0								
7.5	23.9	47.8	71.6	95.5								
11	35.0	5-50	30-50	50-80	50-70	70.0	105	140	5-50	30-50	50-100	50-70
15	47.8					95.5	143	191				
18.5	58.9					118	177	236				
22	70.0					140	210	280				
30	95.5					191	287	382				
37	117.8					236	353	471				
45	143.3					287	430	573				
55	175					350	525	700				
75	239					478	716	955				
90	287					573	860	1146				
110	350	700	1051	1401								
132	420	840	1261	1680								
160	590	1019	1530	2037								
200	637	1273	1910	2547								
220	700	1401	2101	2801								
250	796	1592	2388	3183								
280	891	1783	2674	-								
315	1003	2006	3008	-								
355	1130	2260	-	-								

注：额定转矩值按额定频率下的标称功率和同步转速折算。

The rated torque value is converted according to the nominal power at the rated frequency and the synchronous speed.

10. 主要技术性能

1. 工作方式: S1
2. 电压: 三相 380V (50Hz 或 60Hz)
3. 变频调速范围: 调频范围内无级调速。50Hz (60Hz) 以下为恒转矩调速; 50Hz (60Hz) 以上为恒功率调速。
4. 低速时转矩平滑, 无爬行现象。
5. 能通过变频装置的电压提升, 保证电动机在 5Hz 时输出额定转矩而不致使电机因发热而烧毁。
6. 绝缘等级: F 级
7. 防护等级: 电机 IP55; 轴流风机 IP55
8. 电机冷却方式: IC411(标配); IC416(可选, VC183)

10. Major Performance

1. Duty: S1
2. Voltage: Three phase 380V (50Hz or 60Hz)
3. Range of frequency converter velocity modulation: stepless velocity modulation within frequency range. below 50Hz (or 60Hz) velocity modulating over 50Hz (or 60Hz) with constant torque velocity modulating with constant output.
4. The motor torque appears as smooth at lower speed and the motor runs without creep.
5. The motor can guarantee rated rotor torque output at frequency or 5Hz by voltage rising of frequency converter device and not go so far as to be burned as heating.
6. Insulation: F
7. Protection: IP55 (motor); IP55 (ventilator)
8. Cooling method: IC411 (As standard); IC416 (optional, VC183)

技术数据

Technical data

IE3

2P 380V 50Hz

三相全封闭鼠笼式电机的技术数据

Technical data for totally enclosed squirrel cage three phase motors

IP55 - IC411 绝缘等级F, 温升等级B

符合IEC 60034-30-1:2014 的IE3效率等级

IP55 - IC411 Insulation class F, temperature class B

IE3 according to IEC 60034-30-1:2014

输出 Output	电机型号 Motor type	产品代码 Product code	转速 Speed	效率 / Efficiency IEC 60034- 30-1:2014 满载 load 100%	功率 因数 Power factor cosφ	电流 Current		转矩 / Torque			转动惯量 Moment of inertia J=1/4 GD ² kgm ²	重量 Weight kg	声压等级 Sound pressure level LPA dB
						I _N A	I _s /I _N	T _N Nm	T _I /T _N	T _B /T _N			
3000 r/min = 2 极 / 2 poles			380V	50Hz	CENELEC- 设计								
0.37	QABP 71MA 2	3GQP071310...F	2790	73.8	0.83	0.91	6.1	1.26	2.4	2.9	0.000329506	10	50
0.55	QABP 71MB 2	3GQP071320...F	2781	77.8	0.84	1.27	5.7	1.88	2.4	2.8	0.000378263	11	49
0.75	QABP 80MA 2	3GQP081310...F	2838	80.7	0.87	1.62	6.3	2.5	2.5	3.2	0.000780809	17	60
1.1	QABP 80MB 2	3GQP081320...F	2851	82.7	0.89	2.2	6.2	3.6	2.6	3.0	0.000976847	19	60
1.5	QABP 90SA 2	3GQP091110...F	2847	84.2	0.88	3.0	6.4	5.0	2.5	3.1	0.001864335	23	60
2.2	QABP 90SLA 2	3GQP091010...F	2870	85.9	0.86	4.5	7.3	7.3	3.0	3.7	0.00228521	26	61
3	QABP 100LKA 2	3GQP101810...F	2907	87.1	0.89	5.8	7.3	9.8	1.9	3.1	0.003993473	38	63
4	QABP 112MLA 2	3GQP111410...F	2914	88.1	0.90	7.6	7.1	13.1	2.1	3.3	0.006716703	44	63
5.5	QABP 132SMA 2	3GQP131210...F	2907	89.2	0.89	10.5	6.9	18.0	2.1	3.3	0.01046481	62	66
7.5	QABP 132SMB 2	3GQP131220...F	2932	90.1	0.89	14.2	8.1	24.4	2.6	3.9	0.01282689	68	67
11	QABP 160MA 2	3GQP161310...F	2941	91.2	0.90	20.4	5.8	35.7	1.5	2.7	0.04829348	126	70
15	QABP 160MB 2	3GQP161320...F	2946	91.9	0.90	27.6	6.8	48.6	1.8	3.1	0.05839727	136	70
18.5	QABP 160MLA 2	3GQP161410...F	2951	92.4	0.90	33.8	7.5	59.8	2.1	3.3	0.06850106	155	72
22	QABP 180MA 2	3GQP181310...F	2958	92.7	0.89	40.5	7.6	71.0	2.2	3.3	0.09103656	185	68
30	QABP 200MLA 2	3GQP201410...F	2959	93.3	0.89	54.8	6.0	96.8	1.9	2.8	0.1640437	242	75
37	QABP 200MLB 2	3GQP201420...F	2958	93.7	0.90	66.8	5.6	119	2.0	2.8	0.1974556	268	75
45	QABP 225SMA 2	3GQP221210...F	2978	94.0	0.90	81.0	6.8	144	2.2	3.5	0.3175608	311	75
55	QABP 250SMA 2	3GQP251210...F	2968	94.3	0.89	100	6.9	176	2.2	3.0	0.4127866	370	77
75	QABP 280SA 2	3GQP281110...F	2976	94.7	0.90	133	7.5	240	1.9	3.2	0.649292	534	75
90	QABP 280SMA 2	3GQP281210...F	2978	95.0	0.90	159	8.5	288	2.3	3.5	0.7486925	588	76
110	QABP 315SMA 2	3GQP311210...F	2979	95.2	0.87	201	6.6	352	1.6	2.7	1.151604	824	74
132	QABP 315SMB 2	3GQP311220...F	2979	95.4	0.88	238	6.9	423	1.8	2.7	1.303413	875	74
160	QABP 315MLA 2	3GQP311410...F	2981	95.6	0.88	288	7.1	512	2.2	2.6	1.455221	983	75
185	QABP 315MLB 2	3GQP311420...F	2983	95.7	0.89	330	8.5	592	2.2	3.1	1.720887	1069	74
200	QABP 315MLC 2	3GQP311430...F	2981	95.8	0.89	356	7.2	640	2.3	2.9	1.720887	1078	75
220	QABP 355SMA 2	3GQP351210...F	2984	95.8	0.89	392	7.4	703	1.6	3.2	2.470049	1345	83
250	QABP 355SMB 2	3GQP351220...F	2983	95.8	0.89	445	8.0	800	1.8	3.0	2.705565	1390	83
280	QABP 355SMC 2	3GQP351230...F	2983	95.8	0.91	487	8.7	896	2.0	3.2	3.152925	1458	83
315	QABP 355SMD 2	3GQP351240...F	2979	95.8	0.91	548	7.7	1009	1.8	2.9	3.152925	1482	83
355	QABP 355SME 2	3GQP351250...F	2981	95.8	0.91	618	7.7	1137	1.8	2.7	3.314297	1573	83
3000 r/min = 2 极 / 2 poles			380V	50Hz	高输出设计								
5.5	QABP 112MLB 2	3GQP111420...F	2928	89.2	0.89	10.5	8.7	17.9	2.7	4.1	0.008448025	52	69
11	QABP 132SMC 2	3GQP131230...F	2919	91.2	0.91	20.1	8.1	35.9	2.8	3.9	0.01707863	85	69
22	QABP 160MLB 2	3GQP161420...F	2950	92.7	0.91	39.7	7.1	71.2	2.0	3.1	0.07817283	167	75
30	QABP 180MLA 2	3GQP181410...F	2959	93.3	0.89	54.8	7.8	96.8	2.3	3.4	0.1092751	213	75
45	QABP 200MLC 2	3GQP201430...F	2954	94.0	0.89	81.7	5.5	145	2.0	2.5	0.1964041	271	77
55	QABP 225SMB 2	3GQP221220...F	2974	94.3	0.91	97.3	5.9	176	2.0	3.0	0.3468848	329	80
75	QABP 250SMB 2	3GQP251220...F	2968	94.7	0.89	134	7.2	241	2.5	3.2	0.5078363	428	79
110	QABP 280SMB 2	3GQP281220...F	2975	95.2	0.92	190	8.6	353	2.2	3.3	0.8232427	629	76
132	QABP 280SMC 2	3GQP281230...F	2974	95.4	0.91	230	8.0	423	2.6	3.3	0.9474933	738	77
250	QABP 315MLD 2	3GQP311440...F	2979	95.8	0.90	440	6.9	801	2.2	3.0	2.248585	1313	81
315	QABP 315MLE 2	3GQP311450...F	2979	95.8	0.90	555	7.9	1009	2.8	2.9	2.780489	1495	78
400	QABP 355MLA 2	3GQP351410...F	2979	95.8	0.89	712	6.4	1282	2.0	2.6	3.902359	1801	83
450	QABP 355MLB 2	3GQP351420...F	2982	95.8	0.91	784	7.2	1441	2.0	3.2	3.953993	1853	83
500	QABP 355LKA 2	3GQP351810...F	2980	95.8	0.91	871	6.8	1602	1.8	3.5	4.512524	2528	83
560	QABP 355LKB 2	3GQP351820...F	2981	95.8	0.90	986	7.3	1793	2.0	3.7	4.931792	2232	83

产品代码中的两个圆点表示可选的安装方式、电压及频率代码（见订购信息一页）。

The two bullet s in the product code indicate choice of mounting arrangements , voltage and frequency code (see ordering information page).

I_s / I_N = 启动电流
T_I / T_N = 转子堵转转矩
T_B / T_N = 最大转矩

I_s / I_N = Starting current
T_I / T_N = Locked rotor torque
T_B / T_N = Breakdown torque

技术数据

Technical data

IE3

4P 380V 50Hz

三相全封闭鼠笼式电机的技术数据

Technical data for totally enclosed squirrel cage three phase motors

IP55 - IC411 绝缘等级F, 温升等级B

符合IEC 60034-30-1:2014 的IE3效率等级

IP55 - IC411 Insulation class F, temperature class B

IE3 according to IEC 60034-30-1:2014

输出 Output	电机型号 Motor type	产品代码 Product code	转速 Speed	效率 / Efficiency IEC 60034- 30-1:2014 满载 load 100%	功率 因数 Power factor cosφ	电流 Current		转矩 / Torque			转动惯量 Moment of inertia J=1/4 GD ² kgm ²	重量 Weight kg	声压等级 Sound pressure level LPA dB
						I _N A	I _s /I _N	T _N Nm	T _l /T _N	T _B /T _N			
1500 r/min = 4 极 /4 poles			380V	50Hz	CENELEC- 设计								
0.25	QABP 71MA 4	3GQP072310...F	1432	73.5	0.69	0.74	5.8	1.66	2.5	3.1	0.000695594	10	41
0.37	QABP 71MLA 4	3GQP072410...F	1433	77.3	0.71	1.02	6.4	2.4	2.5	3.4	0.000904753	12	50
0.55	QABP 80MA 4	3GQP082310...F	1448	80.8	0.79	1.31	5.8	3.6	2.0	2.9	0.001744188	17	48
0.75	QABP 80MB 4	3GQP082320...F	1459	82.5	0.76	1.82	6.4	4.9	2.5	3.4	0.002055312	18	48
1.1	QABP 90SA 4	3GQP092110...F	1432	84.1	0.79	2.5	6.6	7.3	3.0	3.5	0.003725762	24	44
1.5	QABP 90SLA 4	3GQP092010...F	1431	85.3	0.80	3.3	6.8	10.0	3.1	3.6	0.004774276	28	44
2.2	QABP 100LKA 4	3GQP102810...F	1464	86.7	0.81	4.7	6.9	14.3	1.8	2.8	0.008494657	38	48
3	QABP 100LKB 4	3GQP102820...F	1468	87.7	0.82	6.3	6.9	19.5	1.9	2.8	0.01035617	41	48
4	QABP 112MLA 4	3GQP112410...F	1461	88.6	0.82	8.3	6.0	26.1	1.9	3.2	0.01404363	46	57
5.5	QABP 132SMA 4	3GQP132210...F	1463	89.6	0.83	11.2	7.5	35.9	2.4	3.2	0.0332768	68	59
7.5	QABP 132SMB 4	3GQP132220...F	1466	90.4	0.84	15	8.0	48.8	2.5	3.2	0.04413898	78	59
11	QABP 160MA 4	3GQP162310...F	1476	91.4	0.87	21.0	6.0	71.1	1.7	2.5	0.07653411	130	67
15	QABP 160MLA 4	3GQP162410...F	1477	92.1	0.87	28.4	6.6	97.0	1.9	2.8	0.09963747	156	67
18.5	QABP 180MA 4	3GQP182310...F	1478	92.6	0.86	35.2	6.7	119	2.2	2.7	0.143968	175	67
22	QABP 180MLA 4	3GQP182410...F	1478	93.0	0.86	41.7	7.3	142	2.5	2.9	0.1684631	198	67
30	QABP 200MLA 4	3GQP202410...F	1484	93.6	0.86	56.6	6.2	193	1.8	3.2	0.3232343	262	67
37	QABP 225SMA 4	3GQP222210...F	1488	93.9	0.85	70.4	7.9	237	2.4	3.2	0.5135679	303	67
45	QABP 225SMB 4	3GQP222220...F	1488	94.2	0.85	85.5	7.9	288	2.4	3.1	0.563196	322	68
55	QABP 250SMA 4	3GQP252210...F	1481	94.6	0.87	101	6.6	354	2.1	3.0	0.5819288	361	72
75	QABP 280SA 4	3GQP282110...F	1488	95.0	0.88	136	7.1	481	2.4	2.9	1.26029	567	66
90	QABP 280SMA 4	3GQP282210...F	1487	95.2	0.89	161	7.3	577	2.8	3.0	1.506014	633	66
110	QABP 315SMA 4	3GQP312210...F	1486	95.4	0.86	203	6.4	706	1.9	3.0	1.90346	823	71
132	QABP 315SMB 4	3GQP312220...F	1487	95.6	0.87	241	6.8	847	2.1	3.1	2.291528	903	71
160	QABP 315MLA 4	3GQP312410...F	1487	95.8	0.87	291	7.0	1027	2.3	3.1	2.55024	1010	71
185	QABP 315MLB 4	3GQP312420...F	1488	95.9	0.87	336	6.2	1187	2.1	2.6	2.721044	1054	74
200	QABP 315MLC 4	3GQP312430...F	1488	96.0	0.87	363	6.1	1283	2.1	2.7	3.018077	1115	74
220	QABP 355SMA 4	3GQP352210...F	1489	96.0	0.88	395	6.8	1411	2.2	3.0	4.506799	1350	78
250	QABP 355SMB 4	3GQP352220...F	1490	96.0	0.87	454	6.3	1602	1.9	2.8	5.087134	1442	78
280	QABP 355SMC 4	3GQP352230...F	1488	96.0	0.88	503	6.3	1797	1.8	2.4	5.087134	1442	78
315	QABP 355SMD 4	3GQP352240...F	1490	96.0	0.88	566	6.9	2019	2.2	3.0	6.247804	1622	78
355	QABP 355SME 4	3GQP352250...F	1489	96.0	0.87	645	5.7	2277	2.1	2.5	6.537971	1683	81
1500 r/min = 4 极 /4 poles			380V	50Hz	高输出设计								
5.5	QABP 112MLB 4	3GQP112420...F	1462	89.6	0.84	11.1	4.2	35.9	1.7	2.9	0.02019382	58	63
11	QABP 132SMC 4	3GQP132230...F	1463	91.4	0.85	21.5	7.2	71.8	1.8	2.5	0.06326133	105	63
18.5	QABP 160MLB 4	3GQP162420...F	1475	92.6	0.89	34.1	7.3	119	2.0	3.2	0.1297781	188	66
30	QABP 180MLB 4	3GQP182420...F	1478	93.6	0.87	55.9	7.2	193	2.5	2.9	0.2435723	251	65
37	QABP 200MLB 4	3GQP202420...F	1483	93.9	0.84	71.2	6.3	238	1.9	2.8	0.3530198	277	69
55	QABP 225SMC 4	3GQP222230...F	1485	94.6	0.85	103	6.8	353	2.1	2.8	0.6026317	338	73
75	QABP 250SMB 4	3GQP252220...F	1484	95.0	0.85	141	8.0	482	2.9	3.7	0.7190223	424	74
110	QABP 280SMB 4	3GQP282220...F	1485	95.4	0.86	204	7.8	707	2.6	2.8	1.472026	708	70
132	QABP 280SMC 4	3GQP282230...F	1483	95.6	0.87	242	7.5	850	2.6	2.6	1.64102	754	70
250	QABP 315MLD 4	3GQP312440...F	1485	96.0	0.85	465	7.0	1607	2.2	2.9	3.535172	1304	78
315	QABP 315MLE 4	3GQP312450...F	1488	96.0	0.86	579	7.6	2022	2.7	2.9	4.250637	1475	78
400	QABP 355MLA 4	3GQP352410...F	1488	96.0	0.86	736	6.1	2566	2.0	2.3	7.913987	1946	78
450	QABP 355MLB 4	3GQP352420...F	1488	96.0	0.87	818	6.2	2886	2.0	2.6	7.559792	1935	78
500	QABP 355LKA 4	3GQP352810...F	1490	96.0	0.87	909	6.2	3205	1.8	2.7	9.34962	2276	78
560	QABP 355LKB 4	3GQP352820...F	1488	96.0	0.86	1030	6.6	3593	2.3	2.4	9.942	2380	78

产品代码中的两个圆点表示可选的安装方式、电压及频率代码（见订购信息一页）。

The two bullet s in the product code indicate choice of mounting arrangements, voltage and frequency code (see ordering information page).

I_s / I_N = 启动电流
T_l / T_N = 转子堵转转矩
T_B / T_N = 最大转矩

I_s / I_N = Starting current
T_l / T_N = Locked rotor torque
T_B / T_N = Breakdown torque

技术数据

Technical data

IE3

6P 380V 50Hz

三相全封闭鼠笼式电机的技术数据

Technical data for totally enclosed squirrel cage three phase motors

IP55 - IC411 绝缘等级F, 温升等级B

符合IEC 60034-30-1:2014 的IE3效率等级

IP55 - IC411 Insulation class F, temperature class B

IE3 according to IEC 60034-30-1:2014

输出 Output	电机型号 Motor type	产品代码 Product code	转速 Speed	效率 / IEC 60034- 30-1:2014 满载 load 100%	功率 因数 Power factor cosφ	电流 Current		转矩 / Torque			转动惯量 Moment of inertia	重量 Weight	声压等级 Sound pressure level
kW			r/min	100%		I _N A	I _s /I _N	T _N Nm	T _l /T _N	T _B /T _N	J=1/4 GD ² kgm ²	kg	LPA dB
1000 r/min = 6 极 /6 poles			380V	50Hz	CENELEC- 设计								
0.18	QABP 71MA 6	3GQP073310...F	925	63.9	0.72	0.59	3.4	1.85	1.8	2.2	0.000886796	10	40
0.25	QABP 71MLA 6	3GQP073410...F	923	68.6	0.72	0.76	3.5	2.5	1.9	2.3	0.001225149	12	42
0.37	QABP 80MA 6	3GQP083310...F	943	73.5	0.73	1.04	4.3	3.7	1.9	2.3	0.001586675	16	53
0.55	QABP 80MB 6	3GQP083320...F	955	77.2	0.74	1.46	4.6	5.5	2.2	2.5	0.002341741	19	53
0.75	QABP 90SA 6	3GQP093110...F	962	78.9	0.72	2.0	5.2	7.4	1.8	2.6	0.004014699	23	56
1.1	QABP 90SLA 6	3GQP093010...F	956	81.0	0.72	2.8	5.0	10.9	1.7	2.5	0.004463992	25	57
1.5	QABP 100LKA 6	3GQP103810...F	965	82.5	0.74	3.7	6.1	14.8	2.0	2.9	0.01185867	38	54
2.2	QABP 112MLA 6	3GQP113410...F	971	84.3	0.77	5.1	6.0	21.6	2.0	2.9	0.01367894	44	48
3	QABP 132SMA 6	3GQP133210...F	971	85.6	0.76	7.0	6.5	29.5	2.7	3.3	0.03169975	59	54
4	QABP 132SMB 6	3GQP133220...F	971	86.8	0.76	9.2	6.3	39.3	2.5	3.1	0.04220976	67	54
5.5	QABP 132SMC 6	3GQP133230...F	970	88.0	0.76	12.4	6.5	54.1	2.6	3.2	0.05622309	78	54
7.5	QABP 160MA 6	3GQP163310...F	986	89.1	0.79	16.2	6.7	72.6	1.9	2.9	0.1056062	127	58
11	QABP 160MLA 6	3GQP163410...F	983	90.3	0.79	23.4	6.5	106	1.9	2.5	0.1383007	153	58
15	QABP 180MLA 6	3GQP183410...F	984	91.2	0.84	29.7	6.5	145	2.1	2.9	0.2122296	189	59
18.5	QABP 200MLA 6	3GQP203410...F	989	91.7	0.86	35.8	6.1	178	1.9	2.8	0.3493219	254	66
22	QABP 200MLB 6	3GQP203420...F	988	92.2	0.85	42.6	6.5	212	2.0	2.9	0.4032754	275	67
30	QABP 225SMA 6	3GQP223210...F	989	92.9	0.83	58.8	7.4	289	2.1	3.0	0.6177768	333	62
37	QABP 250SMA 6	3GQP253210...F	990	93.3	0.83	72.5	6.3	356	2.4	3.2	1.06608	370	63
45	QABP 280SA 6	3GQP283110...F	991	93.7	0.85	85.5	7.1	433	1.9	2.7	1.484857	501	64
55	QABP 280SMA 6	3GQP283210...F	991	94.1	0.85	103	7.3	529	2.0	2.8	1.795937	559	64
75	QABP 315SMA 6	3GQP313210...F	994	94.6	0.83	145	6.3	720	1.7	2.7	3.156408	777	75
90	QABP 315SMB 6	3GQP313220...F	994	94.9	0.84	171	6.8	864	2.0	3.1	3.811638	853	76
110	QABP 315MLA 6	3GQP313410...F	994	95.1	0.84	209	6.7	1056	2.1	3.2	4.476596	979	75
132	QABP 315MLB 6	3GQP313420...F	994	95.4	0.84	250	6.8	1268	2.2	3.2	5.363442	1080	72
160	QABP 355SMA 6	3GQP353210...F	993	95.6	0.84	302	6.4	1539	2.2	2.5	6.852801	1340	75
185	QABP 355SMB 6	3GQP353220...F	990	95.7	0.85	345	5.7	1785	1.7	2.0	7.410277	1386	75
200	QABP 355SMC 6	3GQP353230...F	992	95.8	0.84	377	6.0	1924	2.0	2.4	8.414493	1494	71
220	QABP 355SMD 6	3GQP353240...F	992	95.8	0.84	413	6.9	2118	2.4	2.7	8.878008	1539	75
250	QABP 355SME 6	3GQP353250...F	992	95.8	0.85	469	6.0	2407	2.3	3.2	10.08315	1658	75
280	QABP 355SMF 6	3GQP353260...F	991	95.8	0.84	528	7.2	2697	2.5	2.4	10.54666	1695	75
315	QABP 355MLA 6	3GQP353410...F	991	95.8	0.86	580	6.3	3034	2.2	2.4	12.87542	1982	78
1000 r/min = 6 极 /6 poles			380V	50Hz	高输出设计								
3	QABP 112MLB 6	3GQP113420...F	966	85.6	0.77	6.9	4.7	29.6	1.5	2.3	0.01599063	48	52
7.5	QABP 132SMD 6	3GQP133240...F	969	89.1	0.79	16.1	7.4	73.8	2.9	3.5	0.07724309	101	60
15	QABP 160MLB 6	3GQP163420...F	984	91.2	0.80	31.4	6.5	145	2.1	2.8	0.1938813	190	60
18.5	QABP 180MLB 6	3GQP183420...F	982	91.7	0.85	36.0	6.5	179	2.0	3.0	0.3118056	231	61
30	QABP 200MLC 6	3GQP203430...F	984	92.9	0.86	57.3	6.3	291	1.9	2.7	0.4593157	298	65
37	QABP 225SMB 6	3GQP223220...F	989	93.3	0.83	72.2	6.8	357	2.1	3.0	0.6917388	357	60
45	QABP 250SMB 6	3GQP253220...F	990	93.7	0.83	87.9	6.5	433	2.5	3.2	1.242337	422	66
75	QABP 280SMB 6	3GQP283220...F	990	94.6	0.89	135	6.7	723	2.0	2.9	2.348967	700	61
90	QABP 280SMC 6	3GQP283230...F	991	94.9	0.89	161	6.9	867	2.1	2.9	2.867433	782	61
160	QABP 315MLC 6	3GQP313430...F	994	95.6	0.82	310	7.2	1537	2.1	2.4	6.245967	1273	76
200	QABP 315MLD 6	3GQP313440...F	993	95.8	0.82	386	6.4	1922	1.9	2.5	7.714027	1444	76
355	QABP 355LKA 6	3GQP353810...F	992	95.8	0.84	670	7.0	3415	2.5	3.1	14.70834	2283	75
400	QABP 355LKB 6	3GQP353820...F	991	95.8	0.84	755	6.5	3854	2.3	2.3	15.64867	2379	75

产品代码中的两个圆点表示可选的安装方式、电压及频率代码（见订购信息一页）。

The two bullet s in the product code indicate choice of mounting arrangements , voltage and frequency code (see ordering information page).

I_s / I_N = 启动电流
T_l / T_N = 转子堵转转矩
T_B / T_N = 最大转矩

I_s / I_N = Starting current
T_l / T_N = Locked rotor torque
T_B / T_N = Breakdown torque

技术数据

Technical data

IE3

8P 380V 50Hz

三相全封闭鼠笼式电机的技术数据

Technical data for totally enclosed squirrel cage three phase motors

IP55 - IC411 绝缘等级F, 温升等级B
 符合IEC 60034-30-1:2014 的IE3效率等级
 IP55 - IC411 Insulation class F, temperature class B
 IE3 according to IEC 60034-30-1:2014

输出 Output	电机型号 Motor type	产品代码 Product code	转速 Speed	效率 / IEC 60034- 30-1:2014 满载 load 100%	功率 因数 Power factor cosφ	电流 Current		转矩 / Torque			转动惯量 Moment of inertia J=1/4 GD²kgm²	重量 Weight kg	声压等级 Sound pressure level LPA dB
						I _N A	I _s /I _N	T _N Nm	T _l /T _N	T _B /T _N			
750 r/min = 8 极 / 8 poles			380V	50Hz	CENELEC- 设计								
0.12	QABP 71MLA 8	3GQP074410-...F	681	50.7	0.65	0.55	2.6	1.68	1.9	2.3	0.000941331	11	42
0.18	QABP 80MA 8	3GQP084310-...F	702	58.7	0.66	0.70	3.1	2.4	2.0	2.5	0.001719469	16	45
0.25	QABP 80MB 8	3GQP084320-...F	706	64.1	0.62	0.96	3.3	3.3	2.3	2.8	0.002364959	18	45
0.37	QABP 90SA 8	3GQP094110-...F	719	69.3	0.63	1.28	3.6	4.9	1.7	2.4	0.004239345	24	55
0.55	QABP 90SLA 8	3GQP094010-...F	714	73.0	0.64	1.78	3.5	7.3	1.6	2.3	0.004688638	27	55
0.75	QABP 100LKA 8	3GQP104810-...F	700	75.0	0.66	2.2	3.6	10.2	1.7	2.6	0.01084423	35	52
1.1	QABP 100LKB 8	3GQP104820-...F	704	77.7	0.67	3.2	3.8	14.9	1.9	2.7	0.0151065	40	52
1.5	QABP 112MLA 8	3GQP114410-...F	713	79.7	0.67	4.2	4.4	20.0	1.6	2.3	0.01914842	46	52
2.2	QABP 132SMA 8	3GQP134210-...F	724	81.9	0.74	5.5	4.4	29.0	1.5	2.2	0.04097079	65	57
3	QABP 132SMB 8	3GQP134220-...F	727	83.5	0.74	7.4	4.6	39.4	1.7	2.3	0.05340337	75	57
4	QABP 160MA 8	3GQP164310-...F	736	84.8	0.71	10.0	4.8	51.9	1.5	2.1	0.08491465	117	62
5.5	QABP 160MB 8	3GQP164320-...F	734	86.2	0.71	13.6	5.0	71.5	1.5	2.2	0.1079048	130	62
7.5	QABP 160MLA 8	3GQP164410-...F	734	87.3	0.71	18.3	5.2	97.6	1.6	2.3	0.1409788	156	63
11	QABP 180MLA 8	3GQP184410-...F	732	88.6	0.76	24.7	5.1	143	2.1	2.6	0.2290321	197	60
15	QABP 200MLA 8	3GQP204410-...F	737	89.6	0.76	33.4	5.2	194	1.7	2.4	0.3741423	246	61
18.5	QABP 225SMA 8	3GQP224210-...F	741	90.1	0.77	40.4	6.2	238	2.1	2.9	0.568356	281	63
22	QABP 225SMB 8	3GQP224220-...F	740	90.6	0.80	46.0	5.6	283	1.8	2.5	0.6816489	309	63
30	QABP 250SMA 8	3GQP254210-...F	739	91.3	0.79	63.1	5.0	387	1.8	1.9	1.163853	401	60
37	QABP 280SA 8	3GQP284110-...F	742	91.8	0.81	75.6	5.8	476	1.7	2.3	1.645472	518	61
45	QABP 280SMA 8	3GQP284210-...F	742	92.2	0.81	91.5	5.6	579	1.8	2.3	1.785859	553	61
55	QABP 315SMA 8	3GQP314210-...F	742	92.5	0.82	110	6.5	708	1.4	2.4	3.233572	774	62
75	QABP 315SMB 8	3GQP314220-...F	741	93.1	0.83	147	6.6	966	1.5	2.4	4.089671	862	62
90	QABP 315MLA 8	3GQP314410-...F	741	93.4	0.84	174	6.8	1160	1.6	2.4	4.814062	993	64
110	QABP 315MLB 8	3GQP314420-...F	740	93.7	0.84	212	6.7	1419	1.6	2.4	5.604308	1077	72
132	QABP 355SMA 8	3GQP354210-...F	744	94.0	0.80	266	6.7	1694	1.4	2.4	7.465168	1374	74
160	QABP 355SMB 8	3GQP354220-...F	743	94.3	0.80	322	7.1	2055	1.6	2.5	9.132981	1541	74
185	QABP 355SMC 8	3GQP354230-...F	743	94.5	0.80	371	7.1	2377	1.5	2.4	10.58347	1686	69
200	QABP 355SMD 8	3GQP354240-...F	742	94.6	0.81	396	6.7	2572	1.4	2.2	10.58347	1686	69
220	QABP 355MLA 8	3GQP354410-...F	743	94.6	0.81	436	7.8	2825	1.7	2.7	12.63044	1964	72
250	QABP 355MLB 8	3GQP354420-...F	742	94.6	0.82	489	7.2	3218	1.5	2.4	12.63044	1964	72
750 r/min = 8 极 / 8 poles			380V	50Hz	高输出设计								
2.2	QABP 112MLB 8	3GQP114420-...F	707	81.9	0.69	5.9	4.5	29.7	1.6	2.3	0.02851378	58	52
4	QABP 132SMC 8	3GQP134230-...F	718	84.8	0.76	9.4	4.5	53.2	1.6	2.0	0.06583595	90	57
11	QABP 160MLB 8	3GQP164420-...F	735	88.6	0.71	26.4	5.0	142	1.6	2.2	0.1970429	190	63
15	QABP 180MLB 8	3GQP184420-...F	733	89.6	0.77	33.0	5.2	195	1.8	2.4	0.3130446	232	62
18.5	QABP 200MLB 8	3GQP204420-...F	737	90.1	0.76	41.0	5.0	239	1.7	2.2	0.4292351	277	60
30	QABP 225SMC 8	3GQP224230-...F	741	91.3	0.79	63.5	6.3	386	2.2	2.9	0.8596806	351	68
37	QABP 250SMB 8	3GQP254220-...F	741	91.8	0.76	80.5	6.0	476	2.2	2.3	1.386183	447	67
55	QABP 280SMB 8	3GQP284220-...F	742	92.5	0.82	110	6.3	707	2.1	2.6	2.557987	718	69
75	QABP 280SMC 8	3GQP284230-...F	741	93.1	0.82	148	5.7	966	1.9	2.3	3.014245	792	69
132	QABP 315MLC 8	3GQP314430-...F	744	94.0	0.80	266	6.7	1694	1.4	2.4	6.244974	1274	74
160	QABP 315MLD 8	3GQP314440-...F	744	94.3	0.80	322	7.1	2053	1.6	2.5	7.781306	1450	74
280	QABP 355LKA 8	3GQP354810-...F	742	94.6	0.80	562	6.7	3603	1.4	2.5	13.56088	2182	75
315	QABP 355LKB 8	3GQP354820-...F	742	94.6	0.82	616	7.2	4056	1.5	2.4	15.42176	2357	75

产品代码中的两个圆点表示可选的安装方式、电压及频率代码（见订购信息一页）。

The two bullet s in the product code indicate choice of mounting arrangements , voltage and frequency code (see ordering information page).

I_s / I_N = 启动电流
 T_l / T_N = 转子堵转转矩
 T_B / T_N = 最大转矩

I_s / I_N = Starting current
 T_l / T_N = Locked rotor torque
 T_B / T_N = Breakdown torque

技术数据

Technical data

IE2

2P 380V 50Hz

三相全封闭鼠笼式电机的技术数据

Technical data for totally enclosed squirrel cage three phase motors

IP55 - IC411 绝缘等级F, 温升等级B

符合IEC 60034-30-1:2014 的IE2效率等级

IP55 - IC411 Insulation class F, temperature class B

IE2 according to IEC 60034-30-1:2014

输出 Output	电机型号 Motor type	产品代码 Product code	转速 Speed	效率 / Efficiency IEC 60034- 30-1:2014 满载 load 100%	功率 因数 Power factor cosφ	电流 Current		转矩 / Torque			转动惯量 Moment of inertia J=1/4 GD ² kgm ²	重量 Weight kg	声压等级 Sound pressure level LPA dB
						I _N	I _s /I _N	T _N	T _l /T _N	T _b /T _N			
kW			r/min	380V	50Hz	CENELEC- 设计							
0.37	QABP 71MA 2	3GQP071310...C	2781	69.5	0.83	0.97	4.9	1.27	2.5	3.0	0.0003	10	56
0.55	QABP 71MB 2	3GQP071320...C	2798	74.1	0.83	1.35	4.9	1.87	2.5	3.0	0.00038	11	58
0.75	QABP 80MA 2	3GQP081310...C	2795	77.4	0.85	1.73	5.7	2.5	2.6	3.7	0.00064	16	63
1.1	QABP 80MB 2	3GQP081320...C	2822	79.6	0.86	2.4	5.6	3.7	2.8	3.4	0.00083	17	62
1.5	QABP 90SA 2	3GQP091110...C	2856	81.3	0.87	3.2	5.7	5.0	2.2	3.0	0.00185	23	60
2.2	QABP 90SLA 2	3GQP091010...C	2870	83.2	0.86	4.6	6.7	7.3	2.8	3.5	0.00227	27	61
3	QABP 100LKA 2	3GQP101810...C	2898	84.6	0.89	6.0	6.8	9.8	1.8	2.9	0.00383	36	63
4	QABP 112MLA 2	3GQP111410...C	2914	85.8	0.88	8.0	7.7	13.1	2.0	3.4	0.00614	42	63
5.5	QABP 132SMA 2	3GQP131210...C	2912	87.0	0.88	10.9	6.0	18.0	2.0	2.9	0.00905	57	66
7.5	QABP 132SMB 2	3GQP131220...C	2915	88.1	0.88	14.6	7.5	24.5	2.5	3.6	0.0114	64	67
11	QABP 160MA 2	3GQP161310...C	2944	89.4	0.89	21.0	6.0	35.6	1.5	2.8	0.0449	122	70
15	QABP 160MB 2	3GQP161320...C	2942	90.3	0.90	28.0	6.5	48.6	1.7	2.9	0.0567	136	70
18.5	QABP 160MLA 2	3GQP161410...C	2946	90.9	0.90	34.4	7.0	59.9	2.0	3.1	0.0634	153	72
22	QABP 180MA 2	3GQP181310...C	2952	91.3	0.89	41.0	6.2	71.1	1.8	2.9	0.082	163	68
30	QABP 200MLA 2	3GQP201410...C	2957	92.0	0.89	55.6	6.0	96.8	1.9	2.8	0.155	236	75
37	QABP 200MLB 2	3GQP201420...C	2955	92.5	0.89	68.2	6.6	119	2.0	2.8	0.18	253	75
45	QABP 225SMA 2	3GQP221210...C	2978	92.9	0.90	81.7	7.0	144	2.2	3.5	0.312	308	75
55	QABP 250SMA 2	3GQP251210...C	2968	93.2	0.89	100	6.9	176	2.2	3.0	0.415	371	77
75	QABP 280SA 2	3GQP281110...C	2976	93.8	0.90	135	7.5	240	1.9	3.2	0.649	534	75
90	QABP 280SMA 2	3GQP281210...C	2973	94.1	0.91	159	7.3	289	1.9	3.2	0.736	584	76
110	QABP 315SMA 2	3GQP311210...C	2980	94.3	0.88	201	6.6	352	1.5	2.7	1.11	801	74
132	QABP 315SMB 2	3GQP311220...C	2980	94.6	0.88	240	6.9	423	1.5	2.7	1.27	857	74
160	QABP 315MLA 2	3GQP311410...C	2981	94.8	0.88	291	7.1	512	2.2	2.6	1.46	983	78
185	QABP 315MLB 2	3GQP311420...C	2984	95.0	0.89	332	8.5	592	2.2	3.1	1.72	1070	74
200	QABP 315MLC 2	3GQP311430...C	2981	95.0	0.89	359	7.2	640	2.3	2.9	1.72	1079	81
220	QABP 355SMA 2	3GQP351210...C	2984	95.0	0.89	395	7.4	703	1.6	3.2	2.47	1345	83
250	QABP 355SMB 2	3GQP351220...C	2980	95.0	0.90	444	6.2	801	1.6	2.5	2.47	1371	83
280	QABP 355SMC 2	3GQP351230...C	2983	95.0	0.91	492	8.6	896	1.9	3.3	3.02	1685	83
315	QABP 355SMD 2	3GQP351240...C	2978	95.0	0.89	566	6.9	1009	1.8	2.5	3.02	1715	83
355	QABP 355SME 2	3GQP351250...C	2981	95.0	0.89	637	6.8	1137	1.9	2.4	3.22	1559	83

产品代码中的两个圆点表示可选的安装方式、电压及频率代码（见订购信息一页）。

The two bullet s in the product code indicate choice of mounting arrangements , voltage and frequency code (see ordering information page).

I_s / I_N = 启动电流
T_l / T_N = 转子堵转转矩
T_b / T_N = 最大转矩

I_s / I_N = Starting current
T_l / T_N = Locked rotor torque
T_b / T_N = Breakdown torque

技术数据

Technical data

IE2

4P 380V 50Hz

三相全封闭鼠笼式电机的技术数据

Technical data for totally enclosed squirrel cage three phase motors

IP55 - IC411 绝缘等级F, 温升等级B

符合IEC 60034-30-1:2014 的IE2效率等级

IP55 - IC411 Insulation class F, temperature class B

IE2 according to IEC 60034-30-1:2014

输出 Output	电机型号 Motor type	产品代码 Product code	转速 Speed	效率 / Efficiency IEC 60034- 30-1:2014 满载 load 100%	功率 因数 Power factor cosφ	电流 Current		转矩 / Torque			转动惯量 Moment of inertia J=1/4 GD ² kgm ²	重量 Weight kg	声压等级 Sound pressure level LPA dB
						I _N	I _s /I _N	T _N	T _l /T _N	T _b /T _N			
1500 r/min = 4 极 / 4 poles			380V	50Hz	CENELEC- 设计								
0.25	QABP 71MA 4	3GQP072310-...C	1417	68.5	0.74	0.74	4.6	1.68	1.9	2.7	0.00054	10	49
0.37	QABP 71MB 4	3GQP072320-...C	1413	72.7	0.73	1.05	4.9	2.4	2.3	2.8	0.0007	11	46
0.55	QABP 80MA 4	3GQP082310-...C	1447	77.1	0.77	1.41	5.7	3.6	2.0	2.9	0.00164	16	48
0.75	QABP 80MB 4	3GQP082320-...C	1442	79.6	0.77	1.85	5.6	4.9	2.0	2.9	0.00185	17	48
1.1	QABP 90SA 4	3GQP092110-...C	1425	81.4	0.76	2.7	6.3	7.3	3.5	3.8	0.00353	22	51
1.5	QABP 90SLA 4	3GQP092010-...C	1424	82.8	0.77	3.5	6.6	10.0	3.3	3.8	0.00438	26	55
2.2	QABP 100LKA 4	3GQP102810-...C	1462	84.3	0.78	5.0	6.6	14.3	1.7	2.7	0.00738	34	48
3	QABP 100LKB 4	3GQP102820-...C	1461	85.5	0.79	6.7	6.7	19.6	1.8	2.8	0.00924	38	48
4	QABP 112MLA 4	3GQP112410-...C	1458	86.6	0.83	8.4	6.7	26.1	1.8	3.1	0.014	45	57
5.5	QABP 132SMA 4	3GQP132210-...C	1458	87.7	0.84	11.3	7.0	36.0	2.1	2.8	0.0292	64	59
7.5	QABP 132SMB 4	3GQP132220-...C	1463	88.7	0.85	15.1	7.5	48.9	2.1	2.8	0.0387	73	59
11	QABP 160MA 4	3GQP162310-...C	1474	89.8	0.85	21.8	6.0	71.2	2.0	2.5	0.0673	124	67
15	QABP 160MLA 4	3GQP162410-...C	1477	90.6	0.85	29.5	7.0	97.0	2.5	2.9	0.0881	153	67
18.5	QABP 180MA 4	3GQP182310-...C	1477	91.2	0.86	35.8	5.2	119	2.2	2.4	0.144	174	69
22	QABP 180MLA 4	3GQP182410-...C	1477	91.6	0.86	42.4	5.4	142	2.3	2.5	0.168	197	69
30	QABP 200MLA 4	3GQP202410-...C	1482	92.3	0.87	56.7	5.5	193	1.7	3.0	0.323	262	67
37	QABP 225SMA 4	3GQP222210-...C	1487	92.7	0.86	70.5	7.5	237	2.3	2.9	0.479	292	67
45	QABP 225SMB 4	3GQP222220-...C	1486	93.1	0.86	85.3	7.5	289	2.4	3.0	0.517	305	68
55	QABP 250SMA 4	3GQP252210-...C	1481	93.5	0.88	101	7.4	354	2.0	3.1	0.559	354	72
75	QABP 280SA 4	3GQP282110-...C	1488	94.0	0.88	137	7.1	481	2.4	2.9	1.26	567	66
90	QABP 280SMA 4	3GQP282210-...C	1487	94.2	0.89	163	7.3	577	2.8	3.0	1.51	633	66
110	QABP 315SMA 4	3GQP312210-...C	1487	94.5	0.87	203	6.3	706	1.8	2.9	1.83	797	78
132	QABP 315SMB 4	3GQP312220-...C	1487	94.7	0.87	243	6.8	847	2.0	3.0	2.16	863	78
160	QABP 315MLA 4	3GQP312410-...C	1487	94.9	0.87	294	6.9	1027	2.2	3.1	2.42	1072	78
185	QABP 315MLB 4	3GQP312420-...C	1485	95.1	0.86	343	6.2	1189	2.3	2.5	2.64	1029	78
200	QABP 315MLC 4	3GQP312430-...C	1485	95.1	0.87	367	6.4	1285	2.1	2.5	2.88	1211	78
220	QABP 355SMA 4	3GQP352210-...C	1488	95.1	0.87	404	6.2	1412	1.7	2.8	4.64	1359	82
250	QABP 355SMB 4	3GQP352220-...C	1488	95.1	0.87	459	6.2	1604	1.8	2.8	5.00	1413	82
280	QABP 355SMC 4	3GQP352230-...C	1488	95.1	0.88	508	6.3	1797	1.8	2.4	5.09	1445	81
315	QABP 355SMD 4	3GQP352240-...C	1487	95.1	0.87	578	6.7	2022	2.0	2.9	6.14	1774	82
355	QABP 355SME 4	3GQP352250-...C	1485	95.1	0.87	651	6.1	2282	2.1	2.4	6.74	1701	82

产品代码中的两个圆点表示可选的安装方式、电压及频率代码（见订购信息一页）。

The two bullet s in the product code indicate choice of mounting arrangements, voltage and frequency code (see ordering information page).

I_s / I_N = 启动电流
T_l / T_N = 转子堵转转矩
T_b / T_N = 最大转矩

I_s / I_N = Starting current
T_l / T_N = Locked rotor torque
T_b / T_N = Breakdown torque

技术数据

Technical data

IE2

6P 380V 50Hz

三相全封闭鼠笼式电机的技术数据

Technical data for totally enclosed squirrel cage three phase motors

IP55 - IC411 绝缘等级F, 温升等级B

符合IEC 60034-30-1:2014 的IE2效率等级

IP55 - IC411 Insulation class F, temperature class B

IE2 according to IEC 60034-30-1:2014

输出 Output	电机型号 Motor type	产品代码 Product code	转速 Speed	效率 / Efficiency IEC 60034- 30-1:2014 满载 load 100%	功率 因数 Power factor cosφ	电流 Current		转矩 / Torque			转动惯量 Moment of inertia J=1/4 GD ² kgm ²	重量 Weight kg	声压等级 Sound pressure level LPA dB
						I _N	I _s /I _N	T _N N _m	T _l /T _N	T _b /T _N			
kW			r/min	380V	50Hz	CENELEC- 设计							
0.18	QABP 71MA 6	3GQP073310-...C	925	56.6	0.72	0.67	3.4	1.85	1.8	2.2	0.00089	10	40
0.25	QABP 71MLA 6	3GQP073410-...C	923	61.6	0.72	0.85	3.5	2.5	1.9	2.3	0.00123	12	42
0.37	QABP 80MA 6	3GQP083310-...C	943	67.6	0.73	1.13	4.3	3.7	1.9	2.3	0.00159	16	53
0.55	QABP 80MB 6	3GQP083320-...C	933	73.1	0.75	1.51	4.1	5.6	1.8	2.2	0.00191	17	53
0.75	QABP 90SA 6	3GQP093110-...C	961	75.9	0.73	2.0	5.2	7.4	1.8	2.6	0.00401	23	56
1.1	QABP 90SLA 6	3GQP093010-...C	955	78.1	0.72	2.9	5.0	10.9	1.8	2.5	0.00446	25	57
1.5	QABP 100LKA 6	3GQP103810-...C	964	79.8	0.72	3.9	6.0	14.8	2.0	3.1	0.00971	34	54
2.2	QABP 112MLA 6	3GQP113410-...C	971	81.8	0.77	5.3	6.0	21.6	2.0	2.9	0.0137	44	48
3	QABP 132SMA 6	3GQP133210-...C	963	83.3	0.77	7.1	5.5	29.7	2.0	2.5	0.0299	58	54
4	QABP 132SMB 6	3GQP133220-...C	966	84.6	0.77	9.3	6.0	39.5	2.2	2.8	0.0387	65	54
5.5	QABP 132SMC 6	3GQP133230-...C	970	86.0	0.77	12.6	6.5	54.1	2.5	3.0	0.0527	76	54
7.5	QABP 160MA 6	3GQP163310-...C	984	87.2	0.79	16.5	7.3	72.8	2.0	2.6	0.0929	122	58
11	QABP 160MLA 6	3GQP163410-...C	982	88.7	0.79	23.8	7.0	106	1.9	2.5	0.126	147	58
15	QABP 180MLA 6	3GQP183410-...C	983	89.7	0.83	30.6	6.5	145	1.8	3.2	0.201	184	59
18.5	QABP 200MLA 6	3GQP203410-...C	986	90.4	0.84	37.0	5.8	179	1.8	2.7	0.297	237	66
22	QABP 200MLB 6	3GQP203420-...C	987	90.9	0.85	43.2	6.0	212	1.9	2.7	0.343	252	67
30	QABP 225SMA 6	3GQP223210-...C	990	91.7	0.82	60.6	7.5	289	2.2	2.9	0.571	315	62
37	QABP 250SMA 6	3GQP253210-...C	990	92.2	0.85	71.7	6.3	356	2.4	3.3	1.01	356	63
45	QABP 280SA 6	3GQP283110-...C	991	92.7	0.85	86.4	7.1	433	1.9	2.7	1.48	501	64
55	QABP 280SMA 6	3GQP283210-...C	991	93.1	0.85	105	7.3	529	2.0	2.8	1.80	559	64
75	QABP 315SMA 6	3GQP313210-...C	992	93.7	0.84	144	6.4	722	1.8	2.4	2.79	729	75
90	QABP 315SMB 6	3GQP313220-...C	991	94.0	0.84	173	7.2	866	2.0	2.5	3.35	792	75
110	QABP 315MLA 6	3GQP313410-...C	991	94.3	0.84	210	7.2	1060	2.3	2.5	4.28	947	75
132	QABP 315MLB 6	3GQP313420-...C	990	94.6	0.85	249	6.8	1272	2.2	2.4	5.09	1035	75
160	QABP 355SMA 6	3GQP353210-...C	991	94.8	0.85	301	6.3	1541	1.9	2.1	6.38	1281	77
185	QABP 355SMB 6	3GQP353220-...C	988	95.0	0.84	352	4.9	1787	1.7	1.9	6.95	1333	77
200	QABP 355SMC 6	3GQP353230-...C	990	95.0	0.85	376	6.2	1928	2.0	2.1	7.80	1423	77
220	QABP 355SMD 6	3GQP353240-...C	988	95.0	0.84	418	5.1	2126	1.9	1.9	8.46	1567	77
250	QABP 355SME 6	3GQP353250-...C	990	95.0	0.85	470	6.5	2411	2.3	2.5	9.77	1609	77
280	QABP 355SMF 6	3GQP353260-...C	986	95.0	0.84	533	5.1	2710	2.0	1.9	9.96	1630	77
315	QABP 355MLA 6	3GQP353410-...C	991	95.0	0.86	585	6.3	3034	2.2	2.4	12.7	1976	78

产品代码中的两个圆点表示可选的安装方式、电压及频率代码（见订购信息一页）。

The two bullet s in the product code indicate choice of mounting arrangements , voltage and frequency code (see ordering information page).

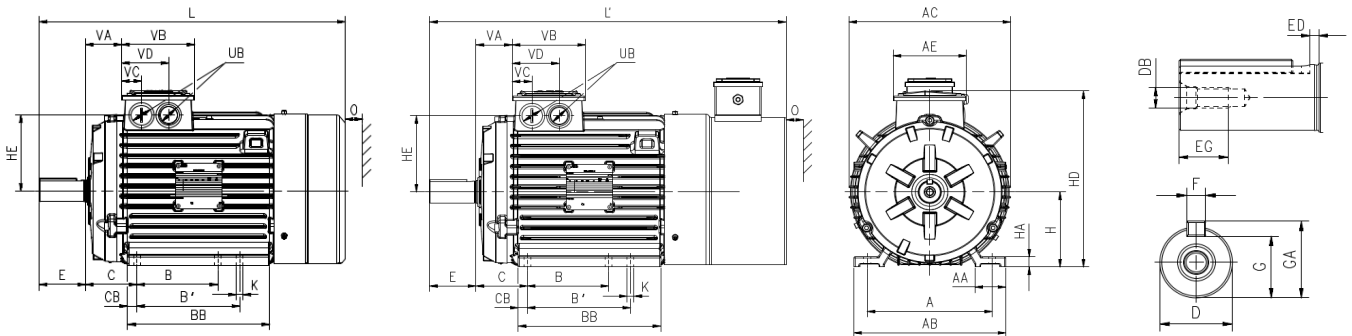
I_s / I_N = 启动电流
T_l / T_N = 转子堵转转矩
T_b / T_N = 最大转矩

I_s / I_N = Starting current
T_l / T_N = Locked rotor torque
T_b / T_N = Breakdown torque

外形图及外形尺寸 Dimension drawings

机座号 71-132 Frame size 71-132

底脚安装型电机 IM1001, B3
Foot-mounted motor IM1001, B3



电机尺寸 Motor size	A	AA	AB	AC	AE	B	B'	BB	C	CB	D-tol.	DB	E	EG	ED
71M	112	30	136	147	101	90	-	110	45	10	14-j6	M5	30	13	5
71ML	112	30	136	147	101	90	-	135	45	10	14-j6	M5	30	13	5
80M	125	33	154	164	111	100	-	125	50	12.5	19-j6	M6	40	16	4
90S	140	33	170	195	111	100	-	124	56	12	24-j6	M8	50	19	5
90SL	140	33	170	195	111	100	125	150	56	12	24-j6	M8	50	19	5
100LK	160	38	200	232	127	140	160	190	63	15	28-j6	M10	60	22	5
112ML ⁽¹⁾	190	48	230	236	127	140	159	189	70	15	28-j6	M10	60	22	5
112ML ⁽²⁾	190	48	230	236	127	140	159	215	70	15	28-j6	M10	60	22	5
132SM ⁽³⁾	216	53	262	279	127	140	178	210	89	16	38-k6	M12	80	28	5
132SM ⁽⁴⁾	216	53	262	279	127	140	178	246	89	16	38-k6	M12	80	28	5
132SM ⁽⁵⁾	216	53	262	279	127	140	178	246	89	16	38-k6	M12	80	28	5

电机尺寸 Motor size	F(h9)	G	GA	H	HA	HD	HE	K	L IC411	L' IC416	UB	VA	VB	VC	VD	O
71M	5	11	16	71	9	178	65	7	262	332	M16x1.5	38	101	33	65	20
71ML	5	11	16	71	9	178	65	7	287	357	M16x1.5	38	101	33	65	20
80M	6	15.5	21.5	80	12	193	69.5	10	312	382.5	M25x1.5	40	111	30	70	20
90S	8	20	27	90	12	219	86	10	339	429	M25x1.5	48	111	30	70	20
90SL	8	20	27	90	12	219	86	10	355	445	M25x1.5	48	111	30	70	20
100LK	8	24	31	100	15	247	103	12	419	504.5	M32x1.5	53	127	34	81	25
112ML ⁽¹⁾	8	24	31	112	15	268	112	12	440	524	M32x1.5	64	127	34	81	25
112ML ⁽²⁾	8	24	31	112	15	268	112	12	480	564	M32x1.5	64	127	34	81	25
132SM ⁽³⁾	10	33	41	132	18	310	134	12	480	566	M32x1.5	63	127	34	81	30
132SM ⁽⁴⁾	10	33	41	132	18	310	134	12	530	616	M32x1.5	63	127	34	81	30
132SM ⁽⁵⁾	10	33	41	132	18	310	134	12	580	666	M32x1.5	63	127	34	81	30

附注 Footnotes

- ¹⁾ IE3 112MLA2-6/MLB6; IE2 112MLA2-6
- ²⁾ IE3 112MLB2/MLB4/MLB8
- ³⁾ IE3 132SMA2-8/SMB2-8/SMC6;
IE2 132SMA2-6/SMB2-6/SMC6
- ⁴⁾ IE3 132SMC2/SMC8
- ⁵⁾ IE3 132SMC4/SMD6

上表给出了主要尺寸 (单位: mm)
如需图纸详情, 请访问我们的网页
www.abb.com/motors&generators 或联系 ABB。

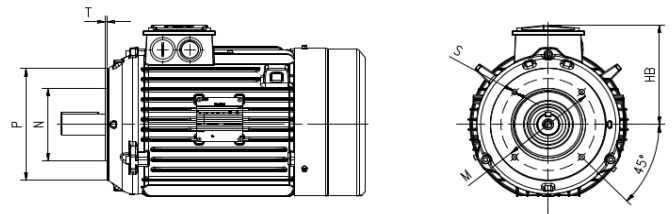
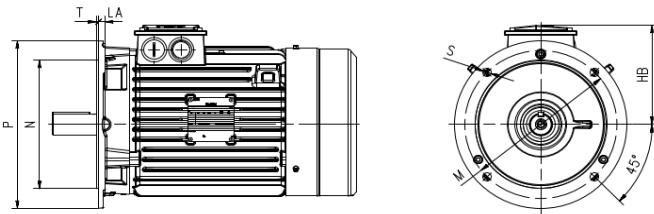
Above table gives the main dimensions in mm.
For detailed drawings please see our web-pages
www.abb.com/motors&generators or contact ABB.

外形图及外形尺寸 Dimension drawings

机座号 71-132 Frame size 71-132

凸缘安装型电机 IM3001, B5
Flange-mounted motor IM3001, B5

小凸缘安装型电机 IM3601, B14
Small flange-mounted motor IM3601, B14



电机尺寸 Motor size	HB	LA	M	N	P	S	T
71	108	9	130	110	160	10	3.5
80	113	10	165	130	200	12	3.5
90	129	10	165	130	200	12	3.5
100	147	11	215	180	250	14.5	4
112	156	11	215	180	250	14.5	4
132	178	12	265	230	300	14.5	4

电机尺寸 Motor size	HB	M	N	P	S	T
71	108	85	70	105	M6	2.5
80	113	100	80	120	M6	3
90	129	115	95	140	M8	3
100	147	130	110	160	M8	3.5
112	156	130	110	160	M8	3.5
132	178	165	130	200	M10	3.5

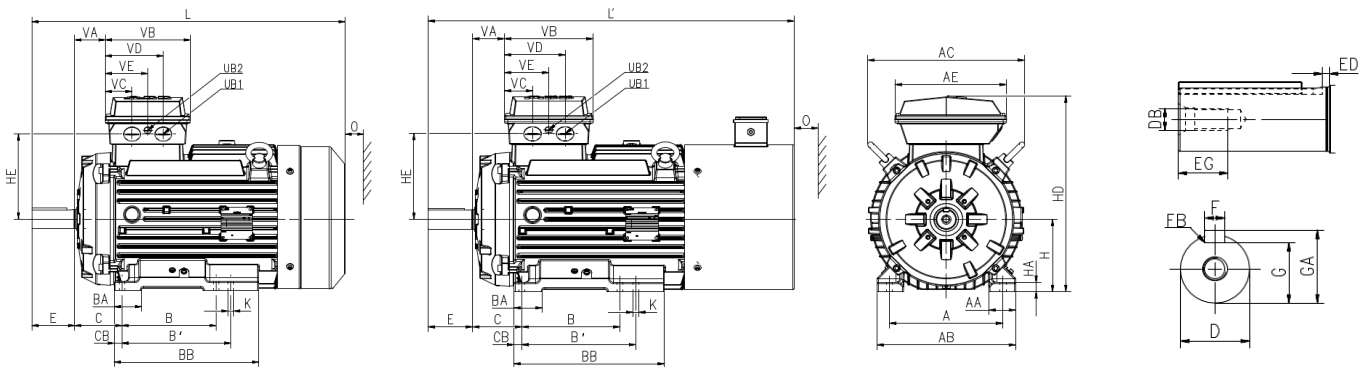
上表给出了主要尺寸 (单位: mm)
如需图纸详情, 请访问我们的网页
www.abb.com/motors&generators 或联系 ABB。

Above table gives the main dimensions in mm.
For detailed drawings please see our web-pages
www.abb.com/motors&generators or contact ABB.

外形图及外形尺寸 Dimension drawings

机座号 160-250 Frame size 160-250

底脚安装型电机 IM1001, B3
Foot-mounted motor IM1001, B3



	极数 Poles	A	AA	AB	AC	AE	B	B'	BA	BB	C	CB	D-tol.	DB	E	EG	ED
160M	2-8p	254	67	310	348	274	210	-	71	250	108	20	42-k6	M16	110	36	10
160ML ⁽¹⁾	2-8p	254	67	310	348	274	210	254	71	295	108	20	42-k6	M16	110	36	10
160ML ⁽²⁾	2-8p	254	67	310	348	274	210	254	71	295	108	20	42-k6	M16	110	36	10
180M	2-8p	279	65	340	385	274	241	-	70	294	121	20	48-k6	M16	110	36	5
180ML ⁽³⁾	2-8p	279	65	340	385	274	241	279	70	319	121	20	48-k6	M16	110	36	5
180ML ⁽⁴⁾	2-8p	279	65	340	385	274	241	279	70	370	121	20	48-k6	M16	110	36	5
200ML	2-8p	318	69	378	442	312	267	305	82	344	133	20	55-m6	M20	110	42	5
225SM	2P	356	90	434	486	312	286	311	68	356	149	20	55-m6	M20	110	42	5
225SM	4-8P	356	90	434	486	312	286	311	68	356	149	20	60-m6	M20	140	42	7.5
250SM ⁽⁵⁾	2P	406	97	480	506	312	311	349	79	397	168	24	60-m6	M20	140	42	7.5
250SM ⁽⁶⁾	4-8P	406	97	480	506	312	311	349	79	397	168	24	65-m6	M20	140	42	7.5
250SM ⁽⁷⁾	2P	406	96	480	506	312	311	349	79	397	168	24	60-m6	M20	140	42	7.5
250SM ⁽⁸⁾	4-8P	406	96	480	506	312	311	349	79	397	168	24	65-m6	M20	140	42	7.5

电机尺寸 Motor size	极数 Poles	F(h9)	G	GA	H	HA	HD	HE	K	L IC411	L' IC416	UB1	UB2	VA	VB	VC	VD	VE	O
160M	2-8p	12	37	45	160	23	450	194	14.5	595	674	M40x1.5	M16x1.5	71	218	69	149	109	45
160ML ⁽¹⁾	2-8p	12	37	45	160	23	450	194	14.5	655	734	M40x1.5	M16x1.5	71	218	69	149	109	45
160ML ⁽²⁾	2-8p	12	37	45	160	23	450	194	14.5	715	794	M40x1.5	M16x1.5	71	218	69	149	109	45
180M	2-8p	14	42.5	51.5	180	23	488	212	14.5	663	759	M40x1.5	M16x1.5	78	218	69	149	109	50
180ML ⁽³⁾	2-8p	14	42.5	51.5	180	23	488	212	14.5	728	824	M40x1.5	M16x1.5	78	218	69	149	109	50
180ML ⁽⁴⁾	2-8p	14	42.5	51.5	180	23	488	212	14.5	803	899	M40x1.5	M16x1.5	78	218	69	149	109	50
200ML	2-8p	16	49	59	200	23	557	231	18.5	793	856	M63x1.5	M16x1.5	90	240	65	175	120	70
225SM	2P	16	49	59	225	23.5	600	249	18.5	826	894	M63x1.5	M16x1.5	87	240	65	175	120	80
225SM	4-8P	18	53	64	225	23.5	600	249	18.5	856	924	M63x1.5	M16x1.5	87	240	65	175	120	80
250SM ⁽⁵⁾	2P	18	53	64	250	24	646	270	24	809	894	M63x1.5	M16x1.5	89	240	65	175	120	90
250SM ⁽⁶⁾	4-8P	18	58	69	250	24	646	270	24	809	894	M63x1.5	M16x1.5	89	240	65	175	120	90
250SM ⁽⁷⁾	2P	18	53	64	250	24	646	270	24	884	969	M63x1.5	M16x1.5	89	240	65	175	120	90
250SM ⁽⁸⁾	4-8P	18	58	69	250	24	646	270	24	884	969	M63x1.5	M16x1.5	89	240	65	175	120	90

附注 Footnotes

- ¹⁾ IE3 160MLA2-8/MLB2; IE2 160MLA2-6
- ²⁾ IE3 160MLB4-8
- ³⁾ IE3 180MLA2-8/MLB6-8; IE2 180MLA4-6
- ⁴⁾ IE3 180MLB4
- ⁵⁾ IE3 250SMA2; IE2 250SMA2
- ⁶⁾ IE3 250SMA4-6; IE2 250SMA4-6
- ⁷⁾ IE3 250SMB2
- ⁸⁾ IE3 250SMA8/SMB4-8

上表给出了主要尺寸 (单位: mm)
如需图纸详情, 请访问我们的网页
www.abb.com/motors&generators 或联系 ABB。

Above table gives the main dimensions in mm.
For detailed drawings please see our web-pages
www.abb.com/motors&generators or contact ABB.

外形图及外形尺寸

Dimension drawings

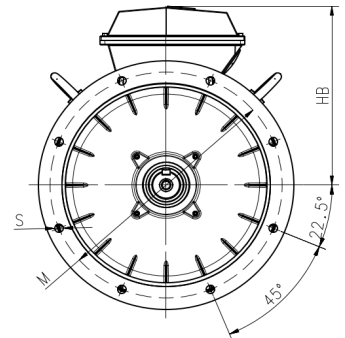
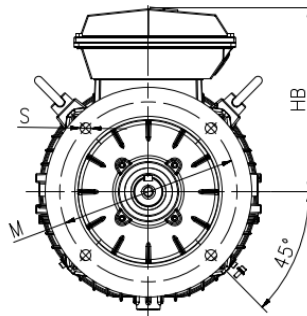
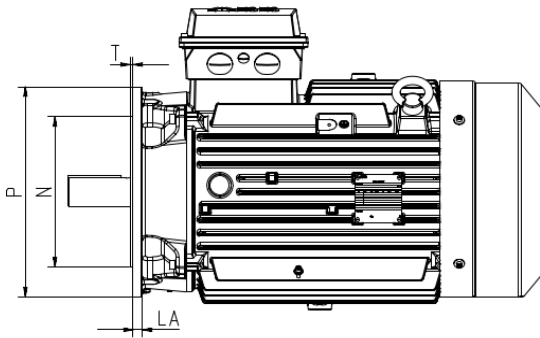
机座号 160-250

Frame size 160-250

凸缘安装型电机 IM3001, B5
Flange-mounted motor IM3001, B5

机座号 160-200
Frame size 160-200

机座号 225-250
Frame size 225-250



电机尺寸 Motor size	极数 Poles	HB	LA	M	N	P	S	T
160	2-8p	290	15	300	250-j6	350	18.5	5
180	2-8p	308	16	300	250-j6	350	18.5	5
200	2-8p	357	20	350	300-h6	400	18.5	5
225	2P	375	20	400	350-h6	450	18.5	5
225	4-8P	375	20	400	350-h6	450	18.5	5
250	2P	396	20	500	450-h6	550	18.5	5
250	4-8P	396	20	500	450-h6	550	18.5	5

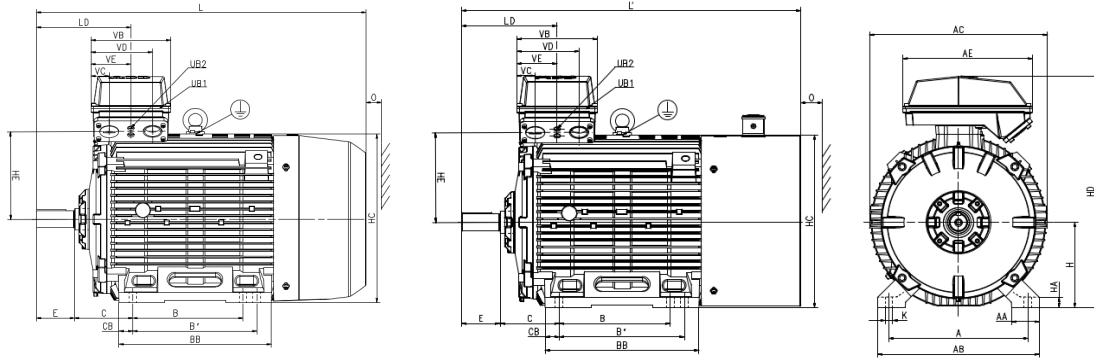
上表给出了主要尺寸 (单位: mm)
如需图纸详情, 请访问我们的网页
www.abb.com/motors&generators 或联系 ABB。

Above table gives the main dimensions in mm.
For detailed drawings please see our web-pages
www.abb.com/motors&generators or contact ABB.

外形图及外形尺寸 Dimension drawings

机座号 280-355 Frame size 280-355

底脚安装型电机 IM1001, B3
Foot-mounted motor IM1001, B3



电机尺寸 Motor size	极数 Poles	A	AA	AB	AC	AE	B	B'	BB	C	CB	D-tol.	DB	E	EG	F(h9)	G
280S	2P	457	75	530	590	348	368	-	477	190	84	65-m6	M20	140	42	18	58
280S	4-8P	457	75	530	590	348	368	-	477	190	84	75-m6	M20	140	42	20	67.5
280SM ⁽¹⁾	2P	457	75	530	590	348	368	419	485	190	38	65-m6	M20	140	42	18	58
280SM ⁽²⁾	4-8P	457	75	530	590	348	368	419	485	190	38	75-m6	M20	140	42	20	67.5
280SM ⁽³⁾	2P	457	75	530	590	348	368	419	596	190	47	65-m6	M20	140	42	18	58
280SM ⁽⁴⁾	4-8P	457	75	530	590	348	368	419	596	190	47	75-m6	M20	140	42	20	67.5
315SM	2P	508	100	590	650	473	406	457	562	216	52	65-m6	M20	140	42	18	58
315SM	4-8P	508	100	590	650	473	406	457	562	216	52	80-m6	M20	170	42	22	71
315ML ⁽⁵⁾	2P	508	100	590	650	473	457	508	664	216	52	65-m6	M20	140	42	18	58
315ML ⁽⁶⁾	4-8P	508	100	590	650	473	457	508	664	216	52	90-m6	M24	170	50	25	81
315ML ⁽⁷⁾	2P	508	100	590	650	473	457	508	831	216	59	65-m6	M20	140	42	18	58
315ML ⁽⁸⁾	4-8P	508	100	590	660	473	457	508	831	216	59	90-m6	M24	170	50	25	81
355SM	2P	610	120	700	744	535	500	560	698	254	72	70-m6	M20	140	42	20	62.5
355SM	4-8P	610	120	700	744	535	500	560	698	254	72	100-m6	M24	210	50	28	90
355ML	2P	610	120	700	754	535	560	630	782	254	79.5	70-m6	M20	140	42	20	62.5
355ML	4-8P	610	120	700	754	535	560	630	782	254	79.5	100-m6	M24	210	50	28	90
355LK	2P	610	120	700	754	535	630	710	1035	254	89.5	70-m6	M20	140	42	20	62.5
355LK	4-8P	610	120	700	754	535	630	710	1035	254	89.5	100-m6	M24	210	50	28	90

电机尺寸 Motor size	极数 Poles	GA	H	HA	HC	HD	HE	K	L IC411	L' IC416	LD	O	UB1	UB2	VB	VC	VD	VE
280S	2P	69	280	31	573	729	306	24	982	1050	342	100	M63x1.5	M20x1.5	230	53	177	115
280S	4-8P	79.5	280	31	573	729	306	24	982	1050	342	100	M63x1.5	M20x1.5	230	53	177	115
280SM ⁽¹⁾	2P	69	280	31	573	729	306	24	1052	1120	342	100	M63x1.5	M20x1.5	230	53	177	115
280SM ⁽²⁾	4-8P	79.5	280	31	573	729	306	24	1052	1120	342	100	M63x1.5	M20x1.5	230	53	177	115
280SM ⁽³⁾	2P	69	280	30	573	729	306	24	1182	1250	342	100	M63x1.5	M20x1.5	230	53	177	115
280SM ⁽⁴⁾	4-8P	79.5	280	30	573	729	306	24	1182	1250	342	100	M63x1.5	M20x1.5	230	53	177	115
315SM	2P	69	315	38	647	857	332	28	1216	1238	348	115	M63x1.5	M20x1.5	295	67.5	227.5	147.5
315SM	4-8P	85	315	38	647	857	332	28	1246	1268	348	115	M63x1.5	M20x1.5	295	67.5	227.5	147.5
315ML ⁽⁵⁾	2P	69	315	38	647	857	332	28	1327	1349	348	115	M63x1.5	M20x1.5	295	67.5	227.5	147.5
315ML ⁽⁶⁾	4-8P	95	315	38	647	857	332	28	1357	1379	348	115	M63x1.5	M20x1.5	295	67.5	227.5	147.5
315ML ⁽⁷⁾	2P	69	315	38	647	857	332	28	1488	1510	348	115	M63x1.5	M20x1.5	295	67.5	227.5	147.5
315ML ⁽⁸⁾	4-8P	95	315	38	647	857	332	28	1518	1540	348	115	M63x1.5	M20x1.5	295	67.5	227.5	147.5
355SM	2P	74.5	355	41	742	966	396	35	1399	1429	399	130	M75x1.5	M20x1.5	350	95	255	175
355SM	4-8P	106	355	41	742	966	396	35	1469	1499	469	130	M75x1.5	M20x1.5	350	95	255	175
355ML	2P	74.5	355	41	742	966	396	35	1514	1544	399	130	M75x1.5	M20x1.5	350	95	255	175
355ML	4-8P	106	355	41	742	966	396	35	1584	1614	469	130	M75x1.5	M20x1.5	350	95	255	175
355LK	2P	74.5	355	41	742	966	396	35	1678	1708	399	130	M75x1.5	M20x1.5	350	95	255	175
355LK	4-8P	106	355	41	742	966	396	35	1748	1778	469	130	M75x1.5	M20x1.5	350	95	255	175

附注 Footnotes

- ¹⁾ IE3 280SMA2/SMB2; IE2 280SMA2
- ²⁾ IE3 280SMA4-8; IE2 280SMA4-6
- ³⁾ IE3 280SMC2
- ⁴⁾ IE3 280SMB4-8/SMC4-8
- ⁵⁾ IE3 315MLA2/MLB2/MLC2; IE2 315MLA2/MLB2/MLC2
- ⁶⁾ IE3 315MLA4-8/MLB4-8/MLC4; IE2 315MLA4-6/MLB4-6/MLC4
- ⁷⁾ IE3 315MLD2/MLE2
- ⁸⁾ IE3 315MLC6-8/MLD4-8/MLE4

上表给出了主要尺寸 (单位: mm)
如需图纸详情, 请访问我们的网页
www.abb.com/motors&generators 或联系 ABB.

Above table gives the main dimensions in mm.
For detailed drawings please see our web-pages
www.abb.com/motors&generators or contact ABB.

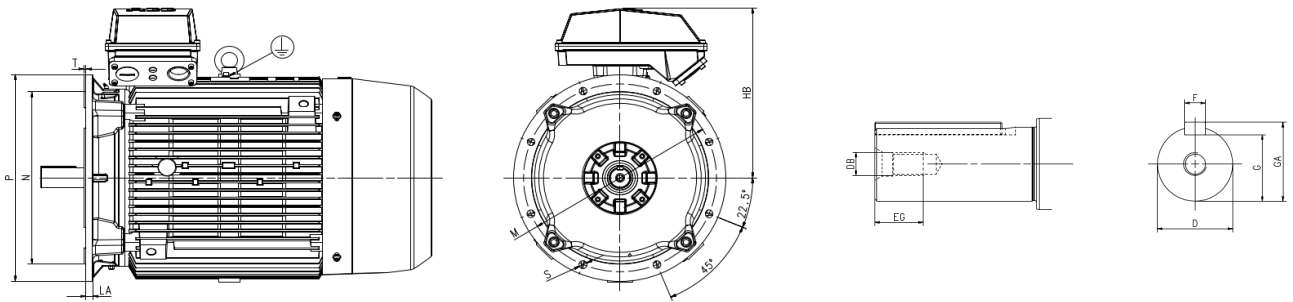
外形图及外形尺寸

Dimension drawings

机座号 280-355

Frame size 280-355

凸缘安装型电机 IM3001, B5
Flange-mounted motor IM3001, B5



电机尺寸 Motor size	极数 Poles	HB	LA	M	N	P	S	T
280	2P	449	22	500	450-h6	550	18.5	5
280	4-8P	449	22	500	450-h6	550	18.5	5
315	2P	542	22	600	550-h6	660	24	6
315	4-8P	542	22	600	550-h6	660	24	6
355	2P	611	22	740	680-h6	800	24	6
355	4-8P	611	22	740	680-h6	800	24	6

上表给出了主要尺寸 (单位: mm)
如需图纸详情, 请访问我们的网页
www.abb.com/motors&generators 或联系 ABB。

Above table gives the main dimensions in mm.
For detailed drawings please see our web-pages
www.abb.com/motors&generators or contact ABB.

变量代码

Variant codes

变量代码		QABP													
Variant code		71	80	90	100	112	132	160	180	200	225	250	280	315	355
管理															
Administration															
530	正常质保期延长 2 年 Two-year extension on standard warranty	●	●	●	●	●	●	●	●	●	●	●	●	●	●
531	海运包装 Sea freight packing	●	●	●	●	●	●	●	●	●	●	●	●	●	●
533	木制海运包装 Wooden sea freight packing	●	●	●	●	●	●	●	●	●	●	●	●	●	●
683	ABB Smart Sensor 支架 Prepared for ABB Ability Smart Sensor	-	-	-	-	-	●	●	●	●	●	●	●	●	●
684	预装 ABB Smart Sensor 硬件 (不含许可码) ABB Ability Smart sensor mounted	-	-	-	-	-	●	●	●	●	●	●	●	●	●
865	延长一年质保 One-year extension on standard warranty	●	●	●	●	●	●	●	●	●	●	●	●	●	●
519	CE 标识 (50Hz) Motor fulfilling European directive and regulations	●	●	●	●	●	●	●	●	●	●	○	○	○	○
100	特殊设计长交期需求 Special design according to quotation (production orders).	●	●	●	●	●	●	●	●	●	●	●	●	●	●
平衡															
Balancing															
417	B 级振动 (IEC60034-14) Vibration acc. to Grade B (IEC 60034-14).	●	●	●	●	●	●	●	●	●	●	●	●	●	●
423	无键平衡 Balanced without key.	●	●	●	●	●	●	●	●	●	●	●	●	●	●
424	全键平衡 Full-key balancing	●	●	●	●	●	●	●	●	●	●	●	●	●	●
轴承与润滑															
Bearings and Lubrication															
036	轴承运输锁 Transport lock for bearings.	-	-	-	-	-	●	●	●	●	●	●	●	●	●
037	D 端圆柱滚子轴承 Roller bearing at D-end.	-	-	-	-	-	●	●	●	●	●	●	●	●	●
039	耐低温油脂 Cold-resistant grease	●	●	●	●	●	●	●	●	●	●	●	●	●	●
040	耐高温油脂 Heat-resistant grease	●	●	●	●	●	●	●	●	●	●	●	●	●	●
041	通过注油嘴对轴承加油 Bearings regreasable via grease nipples.	-	●	●	●	●	●	●	●	●	●	●	○	○	○
043	SPM 振动测量接头 SPM compatible nipples for vibration measurement	●	●	●	●	●	●	●	●	●	●	●	●	●	●
058	D 端角接触球轴承, 轴向力远离轴承 Angular contact bearing at D-end, shaft force away from bearing.	-	-	-	-	-	●	●	●	●	●	●	●	●	●
059	N 端角接触球轴承, 轴向力指向轴承 Angular contact bearing at N-end, shaft force towards bearing.	-	-	-	-	-	●	●	●	●	●	●	●	●	●
060	D 端角接触球轴承, 轴向力指向轴承 Angular contact bearing at D-end, shaft force towards bearing.	-	-	-	-	-	●	●	●	●	●	●	●	●	●
061	N 端角接触球轴承, 轴向力远离轴承 Angular contact bearing at N-end, shaft force away from bearing.	-	-	-	-	-	●	●	●	●	●	●	●	●	●
107	轴承 Pt100(2 线) Pt100 2-wire in bearings.	-	●	●	●	●	●	●	●	●	●	●	●	●	●
130	轴承安装 Pt100(3 线) Pt100 3-wire in bearings.	-	●	●	●	●	●	●	●	●	●	●	●	●	●
188	D 端 63 系列轴承 63-series bearing in D-end	-	●	●	●	●	●	○	○	○	○	○	○	○	○
372	骨架油封主唇口 (有弹簧端) 朝里 (弹簧不可见) Radial seal main lip (spring end) facing in (spring not visible)	●	●	●	●	●	●	●	●	●	●	●	●	●	●
379	SKF 轴承 SKF bearings	●	●	●	●	●	●	●	●	●	●	●	●	●	●
798	不锈钢注油嘴 Stainless steel grease nipples	-	●	●	●	●	●	●	●	●	●	●	●	●	●
866	不锈钢注油嘴 PT1/4" Stainless steel grease nipples, PT1/4"	-	●	●	●	●	●	●	●	●	●	●	●	●	●

○ 标配 | ● 可选 | - 不适用
 O = Included as standard | ● = Available as option | - = Not applicable

变量代码

Variant codes

变量代码 Variant code		QABP													
		71	80	90	100	112	132	160	180	200	225	250	280	315	355
制动器 Brakes															
348	安装指定制动器 ,3 类价格 Special brake mounted, price category 3	●	●	●	●	●	●	●	●	●	●	-	-	-	-
357	安装指定制动器 ,1 类价格 Special brake mounted, price category 1	●	●	●	●	●	●	●	●	●	●	●	●	-	-
358	安装指定制动器 ,2 类价格 Special brake mounted, price category 2	-	-	-	-	-	●	●	●	●	●	●	●	-	-
999C005	AW 系列制动器微动开关 AW Series brake Micro Switch	-	-	-	-	●	●	●	●	●	●	-	-	-	-
999C009	PRECIMA 制动器微动开关 Precima brake Micro Switch	●	●	●	●	●	●	●	●	●	●	-	-	-	-
999C010	PRECIMA 制动器加热带 Precima brake heating element	●	●	●	●	●	●	●	●	●	●	-	-	-	-
999C012	AM 系列制动器微动开关 AM Series brake Micro Switch	-	-	-	-	-	●	●	●	●	●	●	-	-	-
999C013	AM 系列制动器加热带 AM Series brake heating element	-	-	-	-	-	●	●	●	●	●	●	-	-	-
999C018	制动器内走线 cable from inside the motor	-	●	●	●	●	●	●	●	●	●	-	-	-	-
999C040	制动器非标电压, AW 制动器 Non standard brake voltage for AW brake	●	●	●	●	●	●	●	●	●	●	●	●	○	-
999C041	制动器非标电压, AM 制动器 Non standard brake voltage for AM brake	●	●	●	●	●	●	●	●	●	●	●	●	○	-
999C042	制动器非标电压, Precima 制动器 Non standard brake voltage for Precima brake	●	●	●	●	●	●	●	●	●	●	-	-	-	-
999C043	制动器非标扭矩, AW 制动器 Non standard brake torque for AW brake	●	●	●	●	●	●	●	●	●	●	●	○	○	-
999C044	制动器非标扭矩, AM 制动器 Non standard brake torque for AM brake	●	●	●	●	●	●	●	●	●	●	●	○	○	-
999C045	制动器非标扭矩, Precima 制动器 Non standard brake torque for Precima brake	●	●	●	●	●	●	●	●	●	●	-	-	-	-
999C021	调整制动手柄方向 Change the direction of brake handle	●	●	●	●	●	●	●	●	●	●	●	-	-	-
部门标准设计 Branch standard designs															
079	转子鼠笼采用硅铝合金, 标明转矩 Silumin-alloy rotor cage.	●	●	●	●	●	●	●	●	●	●	●	-	-	-
142	“马尼拉” 绕组接线 Manilla connection.	●	●	●	●	●	●	●	●	●	●	●	●	●	●
178	不锈钢 / 耐酸螺栓 Stainless steel / acid proof bolts.	●	●	●	●	●	●	●	●	●	●	●	●	●	●
209	非标电压或频率 (特殊绕组) Non-standard voltage or frequency, (special winding).	●	●	●	●	●	●	●	●	●	●	●	●	●	●
396	用于环温 -20 °C~-40 °C 的电机, 有加热带 (必须添加代码 450/451) Motor designed for minimum ambient temperature -20 °C to -40 °C, with space heaters (code 450/451 must be added)	●	●	●	●	●	●	●	●	●	●	●	●	●	●
419	纺织风罩, 不带网孔 Textile industry design.	●	●	●	●	●	●	-	-	-	-	-	-	-	-
425	防腐蚀定子和转子 Corrosion protected stator and rotor core.	●	●	●	●	●	●	●	●	●	●	●	●	●	●
584	加强型铸件, 牌号升一档 Cast iron material with increased tensile strenght	●	●	●	●	●	●	●	●	●	●	●	●	●	●
872	ADB210.1 (C5 油漆表面处理) Design for port applications	●	●	●	●	●	●	●	●	●	●	●	●	●	●
冷却系统 Cooling system															
068	轻合金金属风扇 Light alloy metal fan	●	●	●	●	●	●	●	●	●	●	●	●	●	●
075	冷却方式 IC418(无叶无罩) Cooling method IC418 (without fan).	●	●	●	●	●	●	●	●	●	●	●	●	●	●
183	独立电机冷却 (轴流风扇, N 端) Separate motor cooling (fan axial, N-end).	●	●	●	●	●	●	●	●	●	●	●	●	●	●

○ 标配 | ● 可选 | - 不适用
 O = Included as standard | ● = Available as option | - = Not applicable

变量代码

Variant codes

变量代码 Variant code	QABP														
		71	80	90	100	112	132	160	180	200	225	250	280	315	355
尺寸图纸 Documentation															
141	配二维主要尺寸图 Binding 2D main dimension drawing.	●	●	●	●	●	●	●	●	●	●	●	●	●	●
排水孔 Drain holes															
065	塞紧现有排水孔 Plugged existing drain holes.	●	●	●	●	●	●	●	●	●	●	●	●	●	●
加热元件 Heating elements															
450	加热带,100-120V Heating element, 100-120 V	●	●	●	●	●	●	●	●	●	●	●	●	●	●
451	加热带,200-240V Heating element, 200 - 240 V	●	●	●	●	●	●	●	●	●	●	●	●	●	●
绝缘系统 Insulation system															
014	H 级绝缘绕组 Winding insulation class H.	●	●	●	●	●	●	●	●	●	●	●	●	●	●
405	用于变频电源的特殊绕组绝缘 Special winding insulation for frequency converter supply.	●	●	●	●	●	●	●	●	●	●	●	●	●	●
安装方式 Mounting arrangements															
008	IM 2101 底脚 / 法兰安装, IEC 法兰, 由 IM 1001 派生 (B3 派生出 B34) IM 2101 foot/flange mounted, IEC flange, from IM 1001 (B34 from B3).	●	●	●	●	●	●	-	-	-	-	-	-	-	-
009	IM 2001 底脚 / 法兰安装, IEC 法兰, 由 IM 1001 派生 (B3 派生出 B35) IM 2001 foot/flange mounted, IEC flange, from IM 1001 (B35 from B3).	●	●	●	●	●	●	●	●	●	●	●	●	●	●
047	IM 3601 法兰安装, IEC 法兰, 由 IM 3001 派生 (B5 派生出 B14) IM 3601 flange mounted, IEC flange, from IM 3001 (B14 from B5).	●	●	●	●	●	●	-	-	-	-	-	-	-	-
066	非标安装方式 (请指定 IM xxxx) (除 B3(1001), B5(3001), B14 (3601), IM B35 (2001) & IM B34 (2101) 外的其它安装型式须在定单中注明) Modified for specified mounting position differing from IM B3 (1001), IM B5 (3001), B14 (3601), IM B35 (2001), IM B34 (2101)	●	●	●	●	●	●	●	●	●	●	●	●	●	●
320	IM2001 底脚 / 缺边法兰安装, 由 IM1001 派生 (B3 派生出 B35) IM2001 foot/flat bottom flange mounted, from IM1001 (B35 flat bottom flange from B3)	●	●	●	●	●	●	-	-	-	-	-	-	-	-
622	铸铁轴承内盖 (低窜动) Inner bearing cover of cast iron	●	●	●	●	●	●	●	●	●	●	●	○	○	○
623	大法兰 (C***) Big flange (China)	●	●	●	●	●	-	-	-	-	-	-	-	-	-
涂装 Painting															
114	特殊油漆颜色, 标准等级 Special paint color, standard grade	●	●	●	●	●	●	●	●	●	●	●	●	●	●
115	喷漆系统 C4, 中等耐久度 Painting system C4, durability Medium	●	●	●	●	●	●	●	●	●	●	●	●	●	●
168	仅涂底漆 Primer paint only.	●	●	●	●	●	●	●	●	●	●	●	●	●	●
179	特殊油漆要求 (VC114 以外的颜色) Special paint specification.	●	●	●	●	-	-	-	-	-	-	-	-	-	-
383	WF1 户外防中等腐蚀 Outdoor medium anti-corrosion WF1	●	●	●	●	●	●	●	●	●	●	●	●	●	●
646	除 VC114 外的特殊油漆颜色 Special paint colour (China)	●	●	●	●	●	●	●	●	●	●	●	●	●	●
754	喷漆系统 C5, 中等耐久度 Painting system C5, durability Medium	●	●	●	●	●	●	●	●	●	●	●	●	●	●
999F020	WF2 户外防强腐蚀 Outdoor high anti-corrosion WF2	●	●	●	●	●	●	●	●	●	●	●	●	●	●
防护 Protection															
005	防护罩, 立式电机, 轴伸向下 Protective roof	●	●	●	●	●	●	●	●	●	●	●	●	●	●
072	驱动端径向密封, 不适用于机座号 280、315 的 2 极电机 Radial seal at D-end. Not possible for 2-pole, 280 and 315 frames	●	●	●	●	●	●	●	●	●	●	●	●	●	●

○ 标配 | ● 可选 | - 不适用
○ = Included as standard | ● = Available as option | - = Not applicable

变量代码

Variant codes

变量代码 Variant code		QABP													
		71	80	90	100	112	132	160	180	200	225	250	280	315	355
158	防护等级 IP65 Degree of protection IP65.	●	●	●	●	●	●	●	●	●	●	●	●	●	●
250	防护等级 IP66 Degree of protection IP66	●	●	●	●	●	●	●	●	●	●	●	●	●	●
403	防护等级 IP56 Degree of protection IP56.	●	●	●	●	●	●	●	●	●	●	●	●	●	●
647	3/4 保护帽 3/4 Protective roof	●	●	●	●	●	●	●	●	●	●	●	-	-	-
784	D 端伽马密封 Gamma-seal at D-end.	●	●	●	●	●	●	●	●	●	●	●	●	●	●
999F002	三防电机 (TH) Three-proof motor (TH)	●	●	●	●	●	●	●	●	●	●	●	●	●	●
999F006	户外电机 Outdoor design	●	●	●	●	●	●	●	●	●	●	●	●	●	●
999F010	ADB150B 铭牌敲 IP55 ADB150B, IP55	●	●	●	●	●	●	●	●	●	●	●	●	●	●
999F011	ADB150B 铭牌敲 IP56 ADB150B, IP56	●	●	●	●	●	●	●	●	●	●	●	●	●	●
铭牌和指示牌 Rating & instruction plates															
002	重敲铭牌电压、频率、输出、连续工作制 Restamping voltage, frequency and output, continuous duty.	●	●	●	●	●	●	●	●	●	●	●	●	●	●
095	重敲输出 (持续电压、频率)、间歇工作制 Restamping output (maintained voltage, frequency), intermittent duty.	●	●	●	●	●	●	●	●	●	●	●	●	●	●
135	安装额外不锈钢指示牌 轴承与润滑	●	●	●	●	●	●	●	●	●	●	●	●	●	●
163	变频铭牌. 铭牌数据根据报价单 Frequency converter rating plate. Rating data according to quotation.	●	●	●	●	●	●	●	●	●	●	●	●	●	●
181	ABB 标准负载参数, VSD 驱动铭牌. 配变速驱动用附件 Rating plate with ABB standard loadability values for VSD operation. Other auxiliaries for VSD operation to be selected as necessary.	●	●	●	●	●	●	●	●	●	●	●	●	●	●
轴和转子 Shaft & rotor															
069	根据基本目录的双伸轴 Two shaft extensions according to catalog drawings.	●	●	●	●	●	●	●	●	●	●	●	●	●	●
070	D 端特殊轴伸, 标准材料 Special shaft extension at D-End, standard shaft material	●	●	●	●	●	●	●	●	●	●	●	●	●	●
164	闭口键槽轴伸 Shaft extension with closed keyway	●	●	●	●	●	●	●	●	●	●	●	●	●	●
410	不锈钢轴 (仅限 SUS304、SUS316) Shaft material stainless steel	●	●	●	●	●	●	●	●	●	●	●	●	●	●
600	N 端特殊轴伸, 标准材料 Special shaft extension at N-end, standard shaft material.	●	●	●	●	●	●	●	●	●	●	●	●	●	●
631	调质轴 Quenched and tempered shaft material	●	●	●	●	●	●	●	●	●	●	●	●	●	●
定子绕组温度传感器 Stator winding temperature sensors															
120	定子绕组安装 KTY 84-130 (每相 1 个) KTY 84-130 (1 per phase) in stator winding.	-	-	-	-	-	-	●	●	●	●	●	●	●	●
121	定子绕组安装双金属温度开关 (NCC, 3 个串联, 130 °C) Bimetal detectors, break type (NCC), (3 in series), 130 °C, in stator winding	●	●	●	●	●	●	●	●	●	●	●	●	●	●
122	定子绕组安装双金属温度开关 (NCC, 3 个串联, 150 °C) Bimetal detectors, break type (NCC), (3 in series), 150 °C, in stator winding	●	●	●	●	●	●	●	●	●	●	●	●	●	●
123	定子绕组安装双金属温度开关 (NCC, 3 个串联, 170 °C) Bimetal detectors, break type (NCC), (3 in series), 170 °C, in stator winding	●	●	●	●	●	●	●	●	●	●	●	●	●	●
125	定子绕组安装双金属温度开关 (NCC, 2x3 个串联, 150 °C) Bimetal detectors, break type (NCC), (2x3 in series), 150 °C, in stator winding	-	●	●	●	●	●	●	●	●	●	●	●	●	●

○ 标配 | ● 可选 | - 不适用
 O = Included as standard | ● = Available as option | - = Not applicable

变量代码

Variant codes

变量代码 Variant code		QABP													
		71	80	90	100	112	132	160	180	200	225	250	280	315	355
127	定子绕组安装双金属温度开关 (NCC, 3 个串联, 130 °C 以及 3 个串联, 150 °C) Bimetal detectors, break type (NCC), (3 in series, 130 °C & 3 in series, 150 °C), in stator winding	-	●	●	●	●	●	●	●	●	●	●	●	●	●
435	定子绕组安装 PTC- 热敏电阻 (3 个串联), 130 °C PTC - thermistors (3 in series), 130 °C, in stator winding	●	●	●	●	●	●	●	●	●	●	●	●	●	●
436	定子绕组安装 PTC- 热敏电阻 (3 个串联), 150 °C PTC - thermistors (3 in series), 150 °C, in stator winding	●	●	●	●	●	●	●	●	●	●	●	○	○	○
437	定子绕组安装 PTC- 热敏电阻 (3 个串联), 170 °C PTC - thermistors (3 in series), 170 °C, in stator winding	●	●	●	●	●	●	●	●	●	●	●	●	●	●
439	定子绕组安装 PTC- 热敏电阻 (2×3 个串联), 150 °C PTC - thermistors (2×3 in series), 150 °C, in stator winding	-	●	●	●	●	●	●	●	●	●	●	●	●	●
441	定子绕组安装 PTC- 热敏电阻 (3 个串联, 130 °C 以及 3 个串联, 150 °C) PTC - thermistors (3 in series, 130 °C & 3 in series, 150 °C), in stator winding	-	●	●	●	●	●	●	●	●	●	●	●	●	●
442	定子绕组安装 PTC- 热敏电阻 (3 个串联, 150 °C 以及 3 个串联, 170 °C) PTC - thermistors (3 in series, 150 °C & 3 in series, 170 °C), in stator winding	-	●	●	●	●	●	●	●	●	●	●	●	●	●
445	定子绕组安装 Pt100(2 线), 每相 1 个 Pt100 2-wire in stator winding, 1 per phase	-	-	-	-	-	-	●	●	●	●	●	●	●	●
446	定子绕组安装 Pt100(2 线), 每相 2 个 Pt100 2-wire in stator winding, 2 per phase	-	-	-	-	-	-	●	●	●	●	●	●	●	●
502	定子绕组安装 Pt100(3 线), 每相 1 个 Pt100 3-wire in stator winding, 1 per phase	-	-	-	-	-	-	●	●	●	●	●	●	●	●
503	定子绕组安装 Pt100(3 线), 每相 2 个 Pt100 3-wire in stator winding, 2 per phase	-	-	-	-	-	-	●	●	●	●	●	●	●	●
接线盒 Terminal box															
020	分离式接线盒 Detached terminal box.	●	●	●	●	●	●	●	●	●	●	●	●	●	●
021	左侧接线盒 (从 D 端看) Terminal box LHS (seen from D-end).	-	●	●	●	●	●	●	●	●	●	●	●	●	●
022	电缆进线孔在左侧 (从 D 端看) Cable entry LHS (seen from D-end).	●	●	●	●	●	●	●	●	●	●	●	●	●	●
180	右侧接线盒 (从 D 端看) Terminal box RHS (seen from D-end).	-	●	●	●	●	●	●	●	●	●	●	●	●	●
230	标准金属电缆密封管 Standard metal cable gland.	●	●	●	●	●	●	●	●	●	●	●	●	●	●
373	接线盒防护等级 IP56 Terminal box degree of protection IP56	●	●	●	●	●	●	●	●	●	●	●	●	●	●
375	标准塑料葛兰 Standard plastic cable gland	●	●	●	●	●	●	●	●	●	●	●	●	●	●
376	2 个标准塑料葛兰 Two standard plastic cable glands	●	●	●	●	●	●	●	●	●	●	●	●	●	●
378	不锈钢葛兰 Stainless steel gland	●	●	●	●	●	●	●	●	●	●	●	●	●	●
400	4 x 90 度可转动的接线盒 4 x 90 degr turnable terminal box.	●	●	●	●	●	●	○	○	○	○	○	○	-	-
413	延长电缆连接, 无接线盒 Extended cable connection, no terminal box.	●	●	●	●	●	●	●	●	●	●	●	●	●	●
418	独立的辅助接线盒, 标准材料 Separate terminal box for auxiliaries, standard material.	●	●	●	●	●	●	●	●	●	●	●	●	●	●
468	电缆进口从 D 端 Cable entry from D-end.	●	●	●	●	●	●	●	●	●	●	●	●	●	●
469	电缆进口从 N 端 Cable entry from N-end.	●	●	●	●	●	●	●	●	●	●	●	●	●	●
624	为英制葛兰预留 Prepared for inch cable glands according to BSPP standard.	●	●	●	●	●	●	●	●	●	●	●	●	●	●
730	为 NPT 葛兰预留 Prepared for NPT cable glands.	●	●	●	●	●	●	●	●	●	●	●	●	●	●
731	2 个标准金属电缆密封管 Two standard metal cable glands.	●	●	●	●	●	●	●	●	●	●	●	●	●	●
738	为米制葛兰预留 Prepared for metric cable glands.	●	●	●	●	●	●	●	●	●	●	●	●	●	●

○ 标配 | ● 可选 | - 不适用

○ = Included as standard | ● = Available as option | - = Not applicable

变量代码

Variant codes

变量代码 Variant code	QABP	71	80	90	100	112	132	160	180	200	225	250	280	315	355
		740	为 PG 葛兰预留 Prepared for PG cable glands.	●	●	●	●	●	●	●	●	●	●	●	●
999K009	预留非标出线孔 Outdoor high anti-corrosion WF2	●	●	●	●	●	●	●	●	●	●	●	●	●	●
999K016	金属电缆密封管, 定制规格数量 (注明规格与数量) Metal cable glands, custom specification quantity (specify specification and quantity)	●	●	●	●	●	●	●	●	●	●	●	●	●	●
999K017	塑料葛兰, 定制规格数量 (注明规格与数量) Plastic cable glands, custom specification quantity (specify specification and quantity)	●	●	●	●	●	●	●	●	●	●	●	●	●	●
999K018	EMC 电缆密封管, 定制规格数量 (注明规格与数量) EMC cable gland, custom specification quantity (specify specification and quantity)	●	●	●	●	●	●	●	●	●	●	●	●	●	●
试验 Testing															
145	目录电机的型式试验报告, 400V 50Hz Type test report from a catalogue motor, 400V 50Hz.	●	●	●	●	●	●	●	●	●	●	●	●	●	●
146	指定交货批次内的某一电机的型式试验报告 Type test with report for one motor from specific delivery batch.	●	●	●	●	●	●	●	●	●	●	●	●	●	●
148	出厂试验报告 Routine test report.	●	●	●	●	●	●	●	●	●	●	●	●	●	●
221	指定交货批次的电机型式试验和多点负载测试, 并提交报告 Type test and multi-point load test with report for one motor from specific delivery batch.	●	●	●	●	●	●	●	●	●	●	●	●	●	●
222	指定交货批次的一台电机转矩转速曲线、型式试验和多点负载测试, 并提交报告 Torque/speed test, type test and multi-point load test with report for one motor from specific delivery batch.	●	●	●	●	●	●	●	●	●	●	●	●	●	●
760	振动等级测试 Vibration level test	●	●	●	●	●	●	●	●	●	●	●	●	●	●
762	对指定交货批次内的一台电机进行噪声等级测试 Noise level test for one motor from specific delivery batch.	●	●	●	●	●	●	●	●	●	●	●	●	●	●
变速驱动 Variable speed drives															
479	安装其它型号的带过渡轴伸脉冲编码器, 不含编码器 Mounting of other type of pulse tacho with shaft extension, tacho not included.	●	●	●	●	●	●	●	●	●	●	●	●	●	●
627	独立风机非标电压 Non-standard voltage for the separate cooling motor	●	●	●	●	●	●	●	●	●	●	●	●	●	●
628	安装指定编码器, 4 类价格 Special tacho mounted, price category 4	●	●	●	●	●	●	●	●	●	●	●	●	●	●
658	安装指定编码器, 1 类价格 Special tacho mounted, price category 1	●	●	●	●	●	●	●	●	●	●	●	●	●	●
659	安装指定编码器, 2 类价格 Special tacho mounted, price category 2	-	-	-	-	●	●	●	●	●	●	●	●	●	●
660	安装指定编码器, 3 类价格 Special tacho mounted, price category 3	-	-	-	-	-	-	●	●	●	●	●	●	●	●
701	N 端绝缘轴承 Insulated bearing at N-end.	-	-	-	-	-	-	-	-	-	-	-	○	○	
704	EMC 电缆密封管 EMC cable entry.	●	●	●	●	●	●	●	●	●	●	●	●	●	●
999M001	大连精益超速开关 LY101-XG Dalian Jingyi overspeed switch, LY101-XG	-	-	-	-	-	●	●	●	●	●	●	●	●	●
999M006	大连精益超速开关 LY101-A Dalian Jingyi overspeed switch, LY101-A	-	-	-	-	-	-	-	●	●	●	●	●	●	●
999M007	大连精益超速开关 LY101-B Dalian Jingyi overspeed switch, LY101-B	-	-	-	-	-	-	-	●	●	●	●	●	●	●
999M306	P+F 编码器 ENI90PL-H P+F encoder, ENI90PL-H	-	-	-	-	-	-	-	●	●	●	●	●	●	●

○ 标配 | ● 可选 | - 不适用
 ○ = Included as standard | ● = Available as option | - = Not applicable

变频电机简介

Variable speed motor in brief

机座号 71-132

Frame size 71-132

电机尺寸 Motor size		71	80	90	100	112	132
机座与端盖 Stator and end shields	材料 Material	铸铁 Cast iron					
	油漆颜色 Paint color shade	Munsell 蓝 8B 4.5/3.25 Munsell blue 8B 4.5/3.25					
	防腐蚀等级 Corrosion class	C3 (中等) C3 (medium)					
底脚 Feet		一体式铸铁底脚 Integrated cast iron feet					
轴承 Bearings	D 端 D-end	6203-2Z/C3	6204-2Z/C3	6205-2Z/C3	6206-2Z/C3	6207-2Z/C3	6208-2Z/C3
	N 端 N-end	6202-2Z/C3	6204-2Z/C3	6205-2Z/C3	6206-2Z/C3	6206-2Z/C3	6208-2Z/C3
轴向锁定轴承 Axially locked bearings		D 端锁定 Locked at D-end					
轴承密封 Bearing seals	D 端, N 端 D-end, N-end	V 形圈 V-ring					
润滑 Lubrication		封闭式轴承 Bearings greased for life					
铭牌 Rating plate	材料 Material	不锈钢 Stainless steel					
接线盒 Terminal box	接线盒材料 Frame material	铸铁 Cast iron					
	接线盒盖材料 Cover material	铸铁 Cast iron					
	防腐蚀等级 Corrosion class	C3 (中等) C3 (medium)					
	螺钉 Screws	电镀锌钢 Zinc-electroplated steel					
	螺纹孔 Threaded openings	2xM16	2xM25		2xM32		
连接件 Connections	最大铜线 (Cu) 截面积 (mm ²) Max Cu-area mm ²	4	6		10		
	接线 Terminals	电缆接线头, 6 个端子 Cable lugs, 6 terminals					
风扇 Fan	材料 Material	玻璃纤维增强聚丙烯 Glass-fiber reinforced polypropylene					
风罩 Fan cover	材料 Material	钢板 Steel					
	油漆颜色 Paint color shade	Munsell 蓝 8B 4.5/3.25 Munsell blue 8B 4.5/3.25					
	防腐蚀等级 Corrosion class	C3 (中等) C3 (medium)					
定子绕组 Stator winding	材料 Material	铜 Copper					
	绝缘 Insulation	F 级绝缘, B 级温升, 除非另有规定 Insulation class F. Temperature rise class B unless otherwise stated					
	绕组保护 Winding protection	可选 As option					
转子绕组 Rotor winding	材料 Material	压铸铝 Pressure die-cast aluminum					
平衡方法 Balancing method		半键平衡 Half-key balancing as standard					
排水孔 Drain holes		排水孔具有可闭合塞, 交付时为打开状态 Drain holes with closable plastic plugs, open on delivery					
键槽 Keyway		开口槽 Open keyway					
防护等级 Enclosure		IP 55					
冷却方式 Cooling method		IC 411					
吊环 Lifting lug		一体式铸铁吊环 Integrated cast iron lifting lug					

变频电机简介

Variable speed motor in brief

机座号 160-250

Frame size 160-250

电机尺寸 Motor size		160	180	200	225	250
机座与端盖 Stator and end shields	材料 Material	铸铁 Cast iron				
	油漆颜色 Paint color shade	Munsell 蓝 8B 4.5/3.25 Munsell blue 8B 4.5/3.25				
	防腐蚀等级 Corrosion class	C3 (中等) C3 (medium)				
底脚 Feet		一体式铸铁底脚 Integrated cast iron feet				
轴承 Bearings	D 端 D-end	6309-2Z/C3	6310-2Z/C3	6312-2Z/C3	6313-2Z/C3	6315-2Z/C3
	N 端 N-end	6209-2Z/C3	6210-2Z/C3	6212-2Z/C3	6213-2Z/C3	6215-2Z/C3
轴向锁定轴承 Axially locked bearings		D 端锁定 Locked at D-end				
轴承密封 Bearing seals	D 端, N 端 D-end, N-end	V 形圈 V-ring				
润滑 Lubrication		封闭式轴承 Bearings greased for life				
铭牌 Rating plate	材料 Material	不锈钢 Stainless steel				
接线盒 Terminal box	接线盒材料 Frame material	铸铁 Cast iron				
	接线盒盖材料 Cover material	铸铁 Cast iron				
	防腐蚀等级 Corrosion class	C3 (中等) C3 (medium)				
	螺钉 Screws	电镀锌钢 Zinc-electroplated steel				
	螺纹孔 Threaded openings	2xM40+M16		2xM63+M16		
连接件 Connections	最大铜线 (Cu) 截面积 (mm ²) Max Cu-area mm ²	35		70		
	接线 Terminals	电缆接头, 6 个端子 Cable lugs, 6 terminals				
风扇 Fan	材料 Material	玻璃纤维增强聚丙烯 Glass-fiber reinforced polypropylene				
风罩 Fan cover	材料 Material	钢板 Steel				
	油漆颜色 Paint color shade	Munsell 蓝 8B 4.5/3.25 Munsell blue 8B 4.5/3.25				
	防腐蚀等级 Corrosion class	C3 (中等) C3 (medium)				
定子绕组 Stator winding	材料 Material	铜 Copper				
	绝缘 Insulation	F 级绝缘, B 级温升, 除非另有规定 Insulation class F. Temperature rise class B unless otherwise stated				
	绕组保护 Winding protection	可选 As option				
转子绕组 Rotor winding	材料 Material	压铸铝 Pressure die-cast aluminum				
平衡方法 Balancing method		半键平衡 Half-key balancing as standard				
排水孔 Drain holes		排水孔具有可闭合塞, 交付时为打开状态 Drain holes with closable plastic plugs, open on delivery				
键槽 Keyway		开口槽 Open keyway				
防护等级 Enclosure		IP 55				
冷却方式 Cooling method		IC 411				
吊环 Lifting lug		分体式钢制吊环, 通过吊环螺纹连接到机座 Separate steel lifting lug, bolted to the stator				

变频电机简介

Variable speed motor in brief

机座号 280-355

Frame size 280-355

电机尺寸 Motor size		280	315	355
机座与端盖 Stator and end shields	材料 Material	铸铁 Cast iron		
	油漆颜色 Paint color shade	Munsell 蓝 8B 4.5/3.25 Munsell blue 8B 4.5/3.25		
	防腐蚀等级 Corrosion class	C3 (中等) C3 (medium)		
底脚 Feet		一体式铸铁底脚 Integrated cast iron feet		
轴承 Bearings	D 端 D-end	6316/C3	6316/C3 (2P) 6319/C3 (4-8P)	6319/C3 (2P) 6322/C3 (4-8P)
	N 端 N-end	6316/C3	6316/C3 (2P) 6319/C3 (4-8P)	6319/C3
	轴向锁定轴承 Axially locked bearings	D 端锁定 Locked at D-end		
轴承密封 Bearing seals	D 端, N 端 D-end, N-end	V 形圈 V-ring		
润滑 Lubrication		可润滑轴承 Regreasable bearings		
铭牌 Rating plate	材料 Material	不锈钢 Stainless steel		
接线盒 Terminal box	接线盒材料 Frame material	铸铁 Cast iron		
	接线盒盖材料 Cover material	铸铁 Cast iron		
	防腐蚀等级 Corrosion class	C3 (中等) C3 (medium)		
	螺钉 Screws	电镀锌钢 Zinc-electroplated steel		
连接件 Connections	螺纹孔 Threaded openings	2xM63+2xM20	2xM63+2xM20	2xM75+2xM20
	最大铜线 (Cu) 截面积 (mm ²) Max Cu-area mm ²	2x150	2x240	4x240
	接线 Terminals	电缆接头, 6 个端子 Cable lugs, 6 terminals		
风扇 Fan	材料 Material	玻璃纤维增强聚丙烯或铝合金 Glass-fiber reinforced polypropylene or Aluminium		
风罩 Fan cover	材料 Material	钢板 Steel		
	油漆颜色 Paint color shade	Munsell 蓝 8B 4.5/3.25 Munsell blue 8B 4.5/3.25		
	防腐蚀等级 Corrosion class	C3 (中等) C3 (medium)		
定子绕组 Stator winding	材料 Material	铜 Copper		
	绝缘 Insulation	F 级绝缘, B 级温升, 除非另有规定 Insulation class F. Temperature rise class B unless otherwise stated		
	绕组保护 Winding protection	定子绕组安装 PTC 热敏电阻 (3 个串联), 150°C PTC - thermistors (3 in series), 150 °C, in stator winding.		
转子绕组 Rotor winding	材料 Material	压铸铝 Pressure die-cast aluminum		
平衡方法 Balancing method		半键平衡 Half-key balancing as standard		
排水孔 Drain holes		排水孔具有可闭合塞, 交付时为打开状态 Drain holes with closable plastic plugs, open on delivery		
键槽 Keyway		开口槽 Open keyway		
防护等级 Enclosure		IP 55		
冷却方式 Cooling method		IC 411		
吊环 Lifting lug		分体式钢制吊环, 通过吊环螺纹连接到机座 Separate steel lifting lug, bolted to the stator		

备注

Notes



ABB中国电机与发电机业务单元区域中心

华东1区区域中心（江苏、安徽及山东）

江苏省南京市建邺区燕山路179号中国人寿大厦15A

邮编: 210019

电话: +86 181 1299 7797

华东2区区域中心（上海、浙江）

上海市闵行区天星路380号

邮编: 200245

电话: +86 181 1617 6178

北方区域中心（北京、天津、河北、河南、山西及内蒙古）

北京市朝阳区酒仙桥北路甲10号401楼

邮编: 100015

电话: +86 181 0119 7623

南方区域中心（广东、广西、福建及海南）

广东省广州市天河区珠江西路15号珠江城大厦29楼

邮编: 510623

电话: +86 181 1617 9306

华中区域中心（湖北、湖南及江西）

湖北省武汉市武昌区临江大道96号武汉万达中心28楼

邮编: 430060

电话: +86 199 0162 9529

西南区域中心（四川、重庆、云南、贵州及西藏）

四川省成都市武侯区人民南路四段3号来福士广场T1

邮编: 610041

电话: +86 181 0819 9063

东北区域中心（黑龙江、吉林及辽宁）

辽宁省沈阳市沈河区青年大街1-1号市府恒隆广场办公

楼1座3610-3612单元

邮编: 110063

电话: +86 180 4006 6506

西北区域中心（陕西、宁夏、青海、甘肃及新疆）

陕西省西安市南关正街88号长安国际中心E座1101室

邮编: 710068

电话: +86 199 0162 9363

<http://new.abb.com/motors-generators/zh>

